

A close-up, profile photograph of a woman with long, wavy brown hair. She is looking upwards and to the right with her eyes closed, suggesting a sense of peace or relaxation. The background is a clear, bright blue sky. The lighting is soft and natural, highlighting the texture of her hair and the contours of her face.

BREATHE, it's a Lacunza

CATALOGUE 2024/2025



Ecological



Sustainable



Last generation



Correct installation



Healthy



Economic



Proper use and maintenance



Dry firewood

Discover warmth and comfort in your home through the experience of fire. The combustion of firewood in a LACUNZA, in addition to offering a magnificent view of the fire, is economical, ecological and sustainable. So we can breathe in a healthy environment. Equipped with the latest technology, our stoves, fireplaces and kitchen stoves ensure maximum efficiency and safety. By choosing a LACUNZA you opt for a unique experience in your home while being responsible with the environment.

- 
- CLEAN AIR
 - COMFORT
 - WARMTH

BREATHE,
it's a **Lacunza**

Innovations technologiques



Eolo System

High-pressure ventilation system with centrifugal turbines and speed regulator (control unit) or fans which allows you to heat different rooms in the home via ducts.



External Air Inlet

Ductable-air system which draws in air from outside the home for combustion. Suitable for energy-efficient homes.



Air Power

High-pressure ventilation system with centrifugal turbines and speed regulator (control unit).



Low Consumption Homes

Technology that ensures the sealing of the device with respect to the environment. Laboratory certified for low consumption housing.



Perfect Combustion

Optimum burning technology which achieves great combustion efficiency. Lower consumption and greater autonomy of firewood loads.



Double Combustion

Technology to burn the gas generated during the initial combustion of firewood. More efficient, longer autonomy and lower consumption.



Easy Fire Control

Fire control system with which to regulate optimum combustion and clean wood-burning appliances using a single control.



Extra Clean Glass

New air-intake-to-glass system to keep the glass cleaner for longer.



Cleaning Access

Easy access for sweeping via a hatch (patented). Deflectors easy to dismantle by hand without tools.



Easy To Clean

Wood-burning kitchen stove surface in high-quality enamel. Can be cleaned with just a damp cloth.



Silence Mode

Fan shutdown system to enjoy maximum silence.

Our materials



A Steel **F** Foundry **V** Vermiculite **R** Refractory **T** Thermotte

Index



1 Wood-burning kitchen stoves

- 9 Lis
- 10 Clasica
- 11 Etna
- 11 Etna | Etna Wood boiler fireplace
- 12 Vulcano
- 12 Vulcano | Vulcano Wood boiler fireplace
- 13 Technical files

2 Wood stoves

CAST IRON

- 18 Bidart
- 18 Biarritz
- 19 Tarbes
- 19 Bristol
- 20 Garde
- 20 Lugo
- 21 Leon
- 21 Levante
- 22 Stelar New

STEEL

- 23 Sagra
- 23 Calpe New
- 24 Atlantic 603 New
- 24 Atlantic 613 New
- 25 Atlantic 610 R
- 25 Platinum 800
- 26 Altea
- 26 Oslo New
- 27 Bergen New
- 27 Calais New
- 28 Martina New
- 30 Maule New
- 32 Paris | Paris ST New
- 33 Paris CLID | Paris CLID ST New
- 34 Verona New
- 37 Roma 700

- 38 Technical files

3 Steel fireplaces

- 46 CM 300
- 46 CM 300 R
- 47 Technical files

4 Wood inserts

CAST IRON

- 50 RE 700
- 50 Sara
- 51 IN 700
- 51 Midi 700
- 52 IF 800
- 52 K2 800
- 53 Abodi

STEEL

- 53 Aroa
- 54 Adour | Adour ST
- 55 Adour CL
- 56 Loire
- 57 Nickel
- 58 Baltic
- 59 Technical files

5 Wood fireplaces

- 66 Inca
- 67 Itaca ECO
- 68 Izaro New
- 74 Technical files

6 Wood boiler fireplaces

- 78 Sarria ECO
- 79 Sakan ECO
- 80 Otazu ECO
- 81 Technical files

New New product

1

Wood-burning kitchen stoves



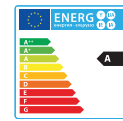


Kitchen stove



KITCHEN STOVE

Lis 5 / 7 / 8



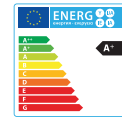
eco DESIGN >	Efficiency	CO Emissions	NOx Emissions	OGC Emissions	Particles	H.O. CE/Min.	Firew.	Heating vol.	Heating area	Overall dimensions
Lis 5	76,5 %	0,11 %	116 mg	80 mg	33 mg	9/6,5 kW	40 cm	200 m ³	80 m ²	750 x 850 x 550 mm
Lis 7	77 %	0,11 %	120 mg	80 mg	34 mg	10/7 kW	40 cm	222 m ³	89 m ²	900 x 850 x 550 mm
Lis 8	78 %	0,11 %	120 mg	78 mg	34 mg	11/7,5 kW	40 cm	244 m ³	98 m ²	1000 x 850 x 550 mm



- Cast-iron kitchen stove with black enamelled finish. Available in several widths: 75, 90 and 100 cm (numbers 5, 7 and 8). Standard height: 85 cm.
- Chrome fittings and oven door with glass.
- Stainless-steel oven and liftable glassceramic top surface
- SH Sup (Top Flue Socket) option available on stoves No.5 and No.7 with cast-iron top surface.

KITCHEN STOVE

Clasica 7 / 8



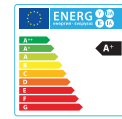
eco DESIGN	Efficiency	CO Emissions	NOx Emissions	OGC Emissions	Particles	H.O. CE/Min.	Firew.	Heating vol.	Heating area	Overall dimensions
Clasica 7T	85 %	0,08 %	174 mg	82 mg	31 mg	11/7,5 kW	40 cm	244 m³	98 m²	900 x 850 x 550 mm
Clasica 8T	85 %	0,08 %	174 mg	75 mg	31 mg	12/8,5 kW	40 cm	267 m³	107 m²	1000 x 850 x 550 mm



- Cast-iron kitchen stove with black enamelled finish.
- Available in several widths: 90 and 100 cm (numbers 7 and 8).
- Standard height: 85 cm.
- Oven and firebox doors with glass as standard, and chrome fittings. Stainless-steel oven and liftable glass-ceramic top surface.
- SH Sup (Top Flue Socket) option available on stoves No.7 with cast-iron top surface.

KITCHEN STOVE

Etna 5 / 7



eco DESIGN	Efficiency	CO Emissions	NOx Emissions	OGC Emissions	Particles	H.O. CE/Min.	Firew.	Heating vol.	Heating area	Overall dimensions
Etna 5T	81,5 %	0,10 %	83 mg	65 mg	10 mg	8/5,5 kW	50 cm	178 m³	71 m²	750 x 850/500 x 600 mm
Etna 7T	77 %	0,10 %	109 mg	92 mg	36 mg	9/6,5 kW	50 cm	200 m³	80 m²	900 x 850/500 x 600 mm

WITH BACK BOILER E:

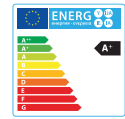
eco DESIGN	Efficiency	CO Emissions	NOx Emissions	OGC Emissions	Particles	H.O. CE/Min	Water H/Min	Firew.	Heating vol.	Heating area	Overall dimensions
Etna 7T E	82 %	0,12 %	143 mg	104 mg	37 mg	13/9 kW	5/3,5 kW	40 cm	289 m³	116 m²	900 x 850/500 x 600 mm



- Closed enamelled cast-iron kitchen stove, black doors.
- Side colour options: Black, White and Bordeaux.
- Only available in one width: 90 cm (numbers 7).
- Standard height: 85 cm. Can be lifted to 90 cm thanks to height-adjustable legs and optional plinth.
- Oven and firebox doors with glass as standard.
- Chrome fittings as standard. o options to choose from:
 - » ETNA 7T: inox oven and iron top surface.
 - » ETNA 7T SV: Stainless-steel oven with hatch and liftable glass-ceramic top surface.
- Firebox for 50cm logs with double combustion.

KITCHEN STOVE

Vulcano 7 / 8



eco DESIGN	Efficiency	CO Emissions	NOx Emissions	OGC Emissions	Particles	H.O. CE/Min.	Firew.	Heating vol.	Heating area	Overall dimensions
Vulcano 7T	85,4 %	0,09 %	109 mg	115 mg	36 mg	10/7 kW	50 cm	222 m³	89 m²	900 x 850/500 x 600 mm
Vulcano 8T	85 %	0,09 %	120 mg	115 mg	33 mg	12/8,5 kW	50 cm	267 m³	107 m²	1010 x 860/500 x 600 mm

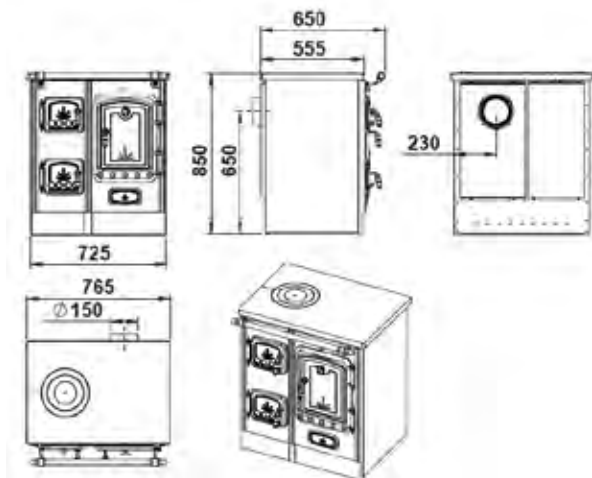
WITH BACK BOILER E5:

eco DESIGN	Efficiency	CO Emissions	NOx Emissions	OGC Emissions	Particles	H.O. CE/Min	Water H/Min	Firew.	Heating vol.	Heating area	Overall dimensions
Vulcano 7T E5	84 %	0,10 %	89 mg	119 mg	37 mg	23,5/16,5kW	14/10 kW	50 cm	522 m³	208 m²	900 x 860/500 x 600 mm

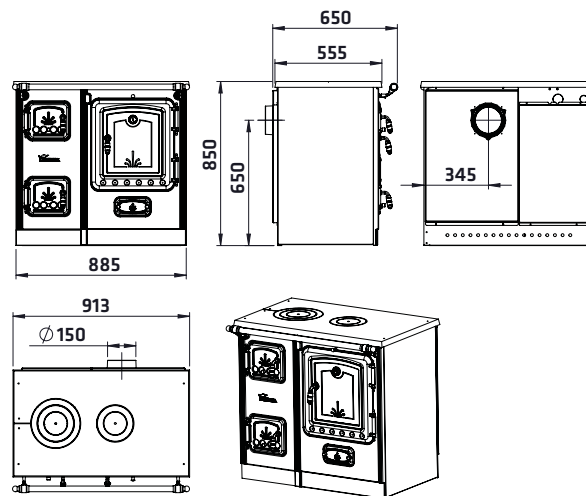


- Cast-iron kitchen stove with black enamelled finish. Only available as closed stove.
- Available in several widths: 90 and 100 cm (numbers 7 and 8).
- Height from 85 cm to 90 cm thanks to adjustable legs.
- Glass on firebox and oven doors, stainless-steel oven with hatch, chrome fittings and liftable top surface as standard.
- Central-heating option depending on model, E5 Back boiler (approx. 20 kW to water).

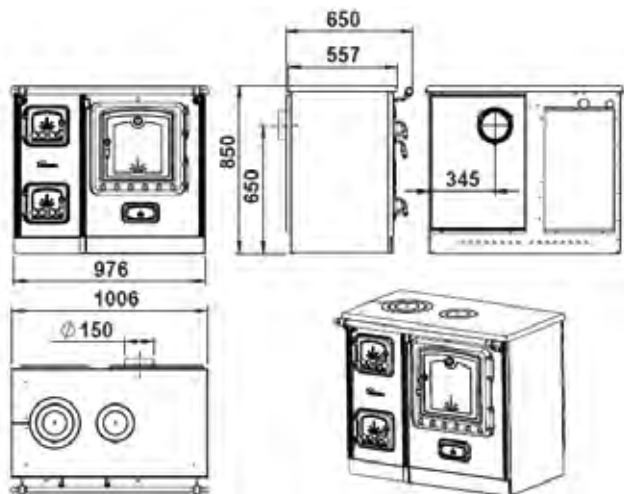
Lis 5T



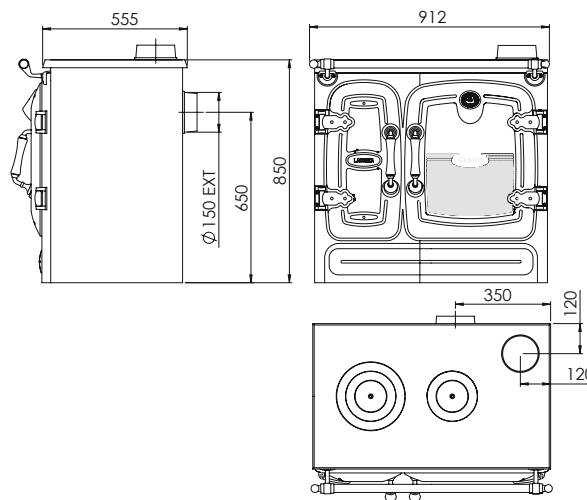
Lis 7T



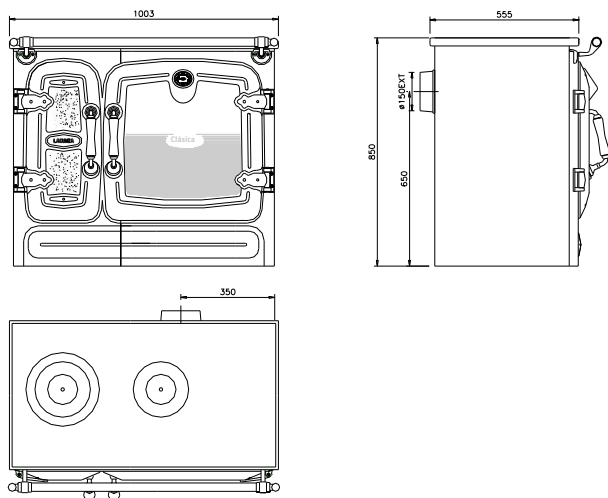
Lis 8T



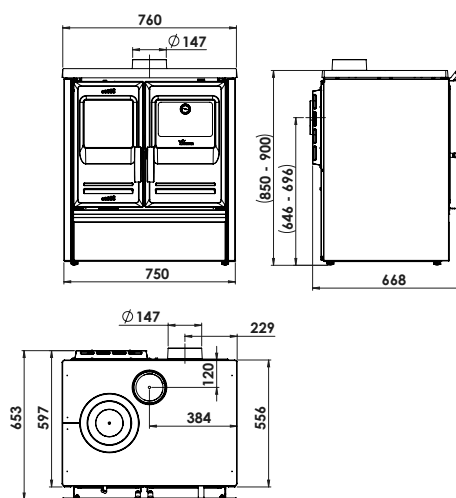
Clasica 7T



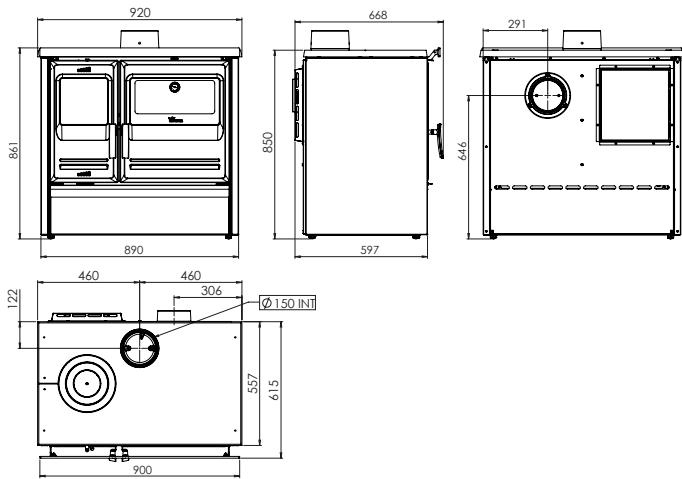
Clasica 8T



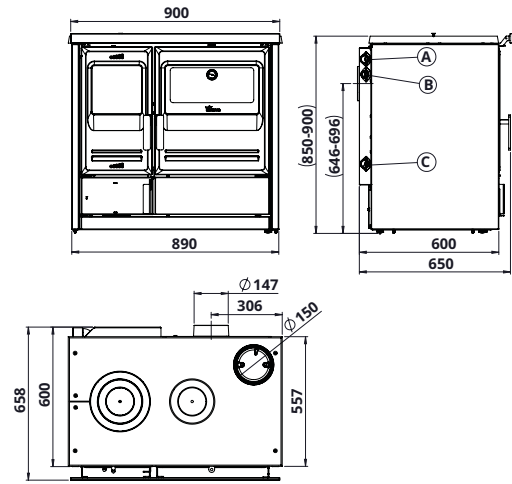
Etna 5T



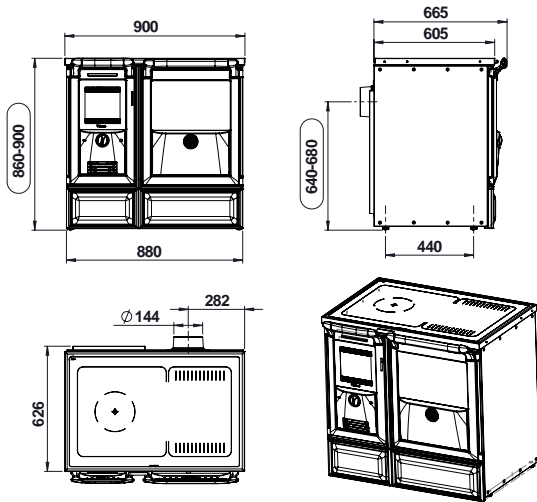
Etna 7T



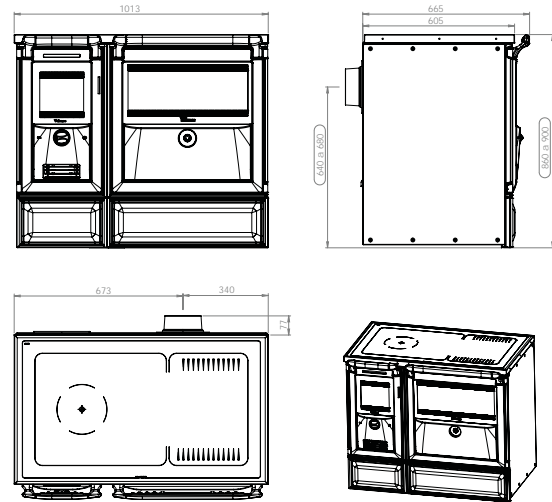
Etna 7T E



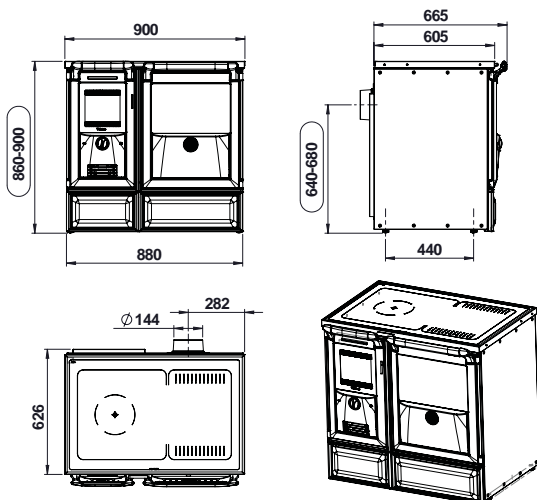
Vulcano 7T



Vulcano 8T



Vulcano 7T E5





2

Wood stoves

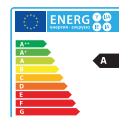
Cast iron and steel





CAST IRON

Bidart



eco DESIGN
Bidart

Efficiency	CO Emissions	NOx Emissions	OGC Emissions	Particles
77 %	0,08 %	112 mg	66 mg	14 mg

H.O. CE/Min.
9/6,5 kW

Firew.
50 cm

Heating vol.
200 m³

Heating area
80 m²

Overall dimensions
635 x 765 x 395 mm

- Cast iron wood stove.
- Firebox material: Vermiculite.
- Top flue exit.
- Double Combustion system.
- Two controls for combustion.
- Extra Clean Glass system.
- Option: cast iron firebox kit.



Indoor: vermiculite

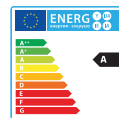


Indoor: cast iron



CAST IRON

Biarritz



eco DESIGN
Biarritz

Efficiency	CO Emissions	NOx Emissions	OGC Emissions	Particles
77 %	0,08 %	112 mg	66 mg	14 mg

H.O. CE/Min.
9/6,5 kW

Firew.
50 cm

Heating vol.
200 m³

Heating area
80 m²

Overall dimensions
635 x 765 x 395 mm

- Cast iron wood stove.
- Printed glass.
- Firebox material: Vermiculite.
- Top flue exit.
- Double Combustion system.
- Two controls for combustion.
- Extra Clean Glass system.
- Option: cast iron firebox kit.



Indoor: vermiculite

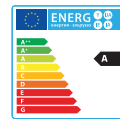


Indoor: cast iron



CAST IRON

Tarbes



eco DESIGN
Tarbes

Efficiency	CO Emissions	NOx Emissions	OGC Emissions	Particles
78 %	0,03 %	124 mg	20 mg	14 mg

H.O. CE/Min.
9/6,5 kW

Firew.
50 cm

Heating vol.
200 m³

Heating area
80 m²

Overall dimensions
700 x 850 x 400 mm

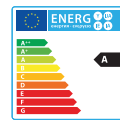


+ External air inlet

- Cast iron wood stove with oval design.
- Firebox in vermiculite and double combustion.
- Very high fire vision.
- External air intake (Ø 80 mm).
- Combustion control single comand.
- Top or rear flue exit.
- Low Consumption Homes certified.
- Options: cast iron firebox kit and glass top.

CAST IRON

Bristol



eco DESIGN
Bristol

Efficiency	CO Emissions	NOx Emissions	OGC Emissions	Particles
78 %	0,03 %	124 mg	20 mg	14 mg

H.O. CE/Min.
9/6,5 kW

Firew.
50 cm

Heating vol.
200 m³

Heating area
80 m²

Overall dimensions
700 x 850 x 400 mm

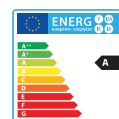


+ External air inlet

- Cast iron wood stove with oval design.
- Firebox in vermiculite and double combustion.
- Very high fire vision.
- External air intake (Ø 80 mm).
- Combustion control single comand.
- Top or rear flue exit.
- Low Consumption Homes certified.
- Options: cast iron firebox kit and glass top.

CAST IRON

Garde



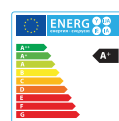
eco DESIGN	Efficiency	CO Emissions	NOx Emissions	OGC Emissions	Particles	H.O. CE/Min.	Firew.	Heating vol.	Heating area	Overall dimensions
Garde	77 %	0,05 %	105 mg	56 mg	28 mg	11/7,5 kW	50 cm	244 m³	89 m²	600 x 1013 x 469 mm

- External air inlet
- Cast iron wood stove with 3 glass design
- Firebox in vermiculite and double combustion
- Very high fire vision
- External air intake (80mm)
- Combustion control single comand
- Top flue exit
- Low Consumption Homes certified



CAST IRON

Lugo



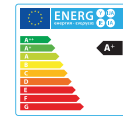
eco DESIGN	Efficiency	CO Emissions	NOx Emissions	OGC Emissions	Particles	H.O. CE/Min.	Firew.	Heating vol.	Heating area	Overall dimensions
Lugo	82 %	0,07 %	121 mg	66 mg	21 mg	12/8,5 kW	70 cm	267 m³	107 m²	866 x 950 x 486 mm

- Cast iron stove on a steel structure.
- Vermiculite interior.
- Doble Combustion system.
- Height adjustable legs and castors for perfect installation.
- Top flue exit.
- Two combustion controls.
- Ash box.
- Cast iron firebox grate.
- Removable handle (cold touch).



CAST IRON

Leon



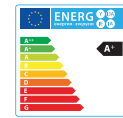
eco DESIGN	Efficiency	CO Emissions	NOx Emissions	OGC Emissions	Particles	H.O. CE/Min.	Firew.	Heating vol.	Heating area	Overall dimensions
Leon	82 %	0,07 %	121 mg	66 mg	21 mg	12/8,5 kW	70 cm	267 m³	107 m²	1056 x 879 x 514 mm



- Cast iron stove on a steel structure.
- Vermiculite interior.
- Doble Combustion system.
- Height adjustable legs and castors for perfect installation.
- Top flue exit.
- Two combustion controls.
- Ash box.
- Cast iron firebox grate.
- Removable handle (cold touch).

CAST IRON

Levante



eco DESIGN	Efficiency	CO Emissions	NOx Emissions	OGC Emissions	Particles	H.O. CE/Min.	Firew.	Heating vol.	Heating area	Overall dimensions
Levante	77,5 %	0,04 %	154 mg	51 mg	26 mg	10/7,5 kW	50 cm	222 m³	89 m²	720 x 710 x 591 mm



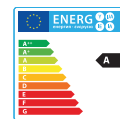
- Cast iron wood stove.
- Firebox material: Vermiculite.
- Top or rear flue exit.
- Double Combustion system.
- Two controls for combustion.
- Extra Clean Glass system.
- Second side door (longer logs).



Black handle

CAST IRON

Stelar



eco
DESIGN >
Stelar 93

Efficiency	CO Emissions	NOx Emissions	OGC Emissions	Particles
80 %	0,10 %	138 mg	81 mg	29 mg

H.O. CE/Min.
9/6,5 kW

Firew.
50 cm

Heating vol.
200 m³

Heating area
80 m²

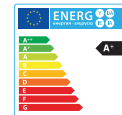
Overall dimensions
660 x 745 x 375 mm



- Top or rear flue exit.
- **Firebox in vermiculite.**
- Natural convection.
- Combustion control single comand.
- External air intake (Ø 80 mm).

STEEL

Sagra CP / CH



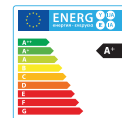
eco DESIGN	Efficiency	CO Emissions	NOx Emissions	OGC Emissions	Particles	H.O. CE/Min.	Firew.	Heating vol.	Heating area	Overall dimensions
Sagra CP	77,5 %	0,06 %	133 mg	53 mg	30 mg	9/6,5 kW	45 cm	200 m³	80 m²	538 x 700 x 375 mm
Sagra CH	87,6 %	0,06 %	133 mg	53 mg	26 mg	9/6,5 kW	45 cm	200 m³	80 m²	538 x 850 x 375 mm

- Steel stove with cast iron door.
- Firebox in vermiculite.
- Double Combustion system with independent control.
- Cast iron grate.
- Extra Clean Glass system.
- Top flue exit.
- Two controls for combustion.
- 2 versions available:
 - » » CP: dish warmer.
 - » » CH: with oven.



STEEL

Calpe



eco DESIGN	Efficiency	CO Emissions	NOx Emissions	OGC Emissions	Particles	H.O. CE/Min.	Firew.	Heating vol.	Heating area	Overall dimensions
Calpe	85 %	0,04 %	111 mg	28 mg	12 mg	12/8,5 kW	50 cm	267 m³	107 m²	600 x 700 x 400 mm

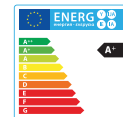
- Steel wood stove.
- Firebox material: Vermiculite.
- Cast iron grate.
- Combustion control single comand.
- Extra Clean Glass system.
- Two controls for combustion.
- **New version!** With Ø120 mm external air intake (standard).



NEW

STEEL

Atlantic 603



eco DESIGN
Atlantic 603

Efficiency	CO Emissions	NOx Emissions	OGC Emissions	Particles
85 %	0,04 %	111 mg	28 mg	12 mg

H.O. CE/Min.
12/8,5 kW

Firew.
50 cm

Heating vol.
267 m³

Heating area
107 m²

Overall dimensions
600 x 850 x 400 mm



NEW

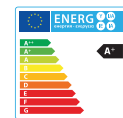
- Steel wood stove.
- Printed glass.
- Firebox material: Vermiculite.
- Cast iron grate.
- Combustion control single comand.
- Two controls for combustion.
- **New version!** With Ø120 mm external air intake (standard).



Atlantic 603

STEEL

Atlantic 613



eco DESIGN
Atlantic 613

Efficiency	CO Emissions	NOx Emissions	OGC Emissions	Particles
82,5 %	0,07 %	136 mg	57 mg	26 mg

H.O. CE/Min.
11/7,5 kW

Firew.
50 cm

Heating vol.
244 m³

Heating area
98 m²

Overall dimensions
600 x 1100 x 400 mm



NEW

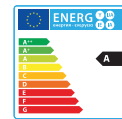
- Steel wood stove.
- Printed glass.
- Firebox material: Vermiculite.
- Cast iron grate.
- Combustion control single comand.
- Two controls for combustion.
- **New version!** With Ø120 mm external air intake (standard).



Atlantic 613

STEEL

Atlantic 610 R



eco DESIGN >
Atlantic 610 R

Efficiency	CO Emissions	NOx Emissions	OGC Emissions	Particles	H.O. CE/Min.	Firew.	Heating vol.	Heating area	Overall dimensions
75 %	0,10 %	122 mg	113 mg	23 mg	10/7 kW	50 cm	222 m ³	89 m ²	600 x 1100 x 485 mm

- Steel wood stove.
- Printed glass.
- Firebox material: Vermiculite.
- Cast iron grate.
- Two controls for combustion.

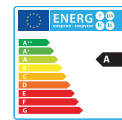


Atlantic 613 R Atlantic 611 R



STEEL

Platinum 800



eco DESIGN >
Platinum 800

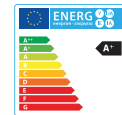
Efficiency	CO Emissions	NOx Emissions	OGC Emissions	Particles	H.O. CE/Min.	Firew.	Heating vol.	Heating area	Overall dimensions
75 %	0,09 %	88 mg	69 mg	24 mg	12,5/8,5 kW	65 cm	278 m ³	111 m ²	900 x 1080 x 477 mm

- Top or rear flue exit.
- Firebox in vermiculite.
- Natural convection.
- Combustion control single comand.
- Printed glass.
- Secondary air control.
- External air intake (Ø 120 mm).



STEEL

Altea



eco DESIGN
Altea

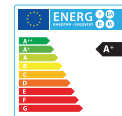
Efficiency	CO Emissions	NOx Emissions	OGC Emissions	Particles	H.O. CE/Min.	Firew.	Heating vol.	Heating area	Overall dimensions
87 %	0,04 %	134 mg	21 mg	16 mg	7/5 kW	50 cm	156 m³	62 m²	600 x 1100 x 400 mm



- **Steel wood stove.**
- Stainless steel oven with refractory base.
- Oven plate and grill.
- Anti-condensation system.
- Firebox firebox in vermiculite.
- Cast iron grate.
- **Double Combustion system with independent control.**
- Two controls for combustion.
- Oven dimensions:
📦 443 x 253 x 355 mm

STEEL

Oslo



eco DESIGN
Oslo

Efficiency	CO Emissions	NOx Emissions	OGC Emissions	Particles	H.O. CE/Min.	Firew.	Heating vol.	Heating area	Overall dimensions
87,6 %	0,04 %	94 mg	30 mg	23 mg	11,5/8 kW	60 cm	256 m³	102 m²	700 x 1312 x 400 mm

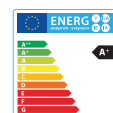


- **Steel wood stove.**
- Stainless steel oven with refractory base.
- Oven plate and grill.
- Anti-condensation system.
- Firebox firebox in vermiculite.
- Cast iron grate.
- **Double Combustion system with independent control.**
- Two controls for combustion.
- **New version!** With taller log rack.
- Oven dimensions:
📦 553 x 253 x 355 mm

NEW

STEEL

Bergen



eco DESIGN
BERGEN

Efficiency	CO Emissions	NOx Emissions	OGC Emissions	Particles	H.O. CE/Min.	Firew.	Heating vol.	Heating area	Overall dimensions
87,6 %	0,04 %	94 mg	30 mg	23 mg	11,5/8 kW	60 cm	256 m³	102 m²	797 x 1312 x 441 mm

- **Black or white ceramic coated steel stove with oven.**
- Stainless oven with refractory base.
- Stainless oven tray and grill.
- Oven vapor extraction system.
- Firebox in vermiculite.
- Cast iron grill.
- Double Combustion system with single command.
- Lower sliding drawer in steel and ceramic.
- Optional black or white ceramic oven lid
- Oven dimensions:
 553 x 253 x 355 mm



Bergen N

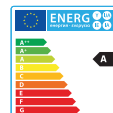


Bergen B



STEEL

Calais



eco DESIGN
CALAIS

Efficiency	CO Emissions	NOx Emissions	OGC Emissions	Particles	H.O. CE/Min.	Firew.	Heating vol.	Heating area	Overall dimensions	Cent. turbine
83 %	0,05 %	125 mg	32 mg	29 mg	13/9 kW	40 cm	289 m³	115 m²	470 x 1100 x 465 mm	2 x 125 m³/h

- **External air inlet.**
- **Steel wood stove with upright design.**
- Firebox in vermiculite with refractory base and double combustion.
- Very high fire vision.
- External air intake (80mm).
- Combustion control single comand.
- Top flue exit.
- Two turbines.





NEW

Martina L

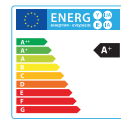
New large-capacity stove, a dual function appliance with which you can heat your home and also heat up your food thanks to its polished cast-iron hotplate.

The new MARTINA wood-burning stove is made of steel with a cast-iron door and has a vermiculite interior and external air intake, as well as all the latest technological developments.

- **External Air Inlet:** ductable air-intake system to draw air from outside.
- **Perfect Combustion:** optimal wood-burning technology.
- **Double Combustion:** system which burns the gas released during the primary combustion of firewood. Lower consumption.
- **Easy Fire Control:** fire controlled using a single control.
- **Extra Clean Glass:** a new air inlet system onto the glass to keep it clean longer.

STEEL

Martina



eco DESIGN	%* Efficiency	CO Emissions	NOx Emissions	OGC Emissions	☆☆ Particles	H.O. CE/Min.	Firew.	Heating vol.	Heating area	Overall dimensions
Martina	81 %	0,06 %	120 mg	33 mg	18 mg	7/5 kW	50 cm	160 m³	64 m²	706 x 765 x 460 mm
Martina L	81 %	0,06 %	120 mg	33 mg	18 mg	7/5 kW	50 cm	160 m³	64 m²	706 x 1000 x 460 mm



NEW Martina



Martina



Martina L

- **Steel wood stoves.**
- Firebox material: Vermiculite.
- Cast iron grate.
- Polished cast-iron hotplate.
- Combustion control single comand.
- Extra Clean Glass system.
- Two versions available.



NEW Maule

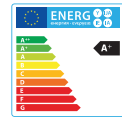
New freestanding stove covered with ceramic and with also a new ceramic interior. Iroko wood legs create a unique style and reinforce the warmth of stove. A dual function appliance that will allow you to heat your home and heat your food on its polished cast iron plate.

The new MAULE freestanding stove has a Nordic aesthetic that decorates any room while being equipped with the latest technologies.

- **External Air Inlet:** ductable outside air intake.
- **Perfect Combustion:** optimum wood-burning technology.
- **Double Combustion:** a system by which the primary combustion gases obtained from the wood are re-ignited.
- **Easy Fire Control:** to adjust the fire with a single control.
- **Extra Clean Glass:** new air-intake-to-glass system to keep the glass cleaner for longer.

STEEL

Maule



eco
DESIGN >
Maule

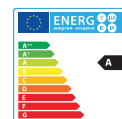
% [*] Efficiency	CO Emissions	NOx Emissions	OGC Emissions	☆☆ Particles	H.O. CE/Min.	Firew.	Heating vol.	Heating area	Overall dimensions
81 %	0,06 %	120 mg	33 mg	18 mg	7/5 kW	50 cm	160 m ³	64 m ²	766 x 813 x 460 mm



- Steel wood stove covered with ceramic with iroko wood legs
- Firebox material: ceramic.
- Cast iron grate.
- Polished cast-iron hotplate.
- Combustion control single comand.
- Extra Clean Glass system.

STEEL

Paris 700 / 800 / 1000 - Paris ST



ecodesign	% Efficiency	CO Emissions	NOx Emissions	OGC Emissions	★ Particles	⊙ H.O. CE/Min.	🔥 Firew.	📏 Heating vol.	🏠 Heating area	📏 Overall dimensions	⊙ Cent. turbine
Paris 700	78 %	0,09 %	115 mg	69 mg	29 mg	8/6 kW	60 cm	178 m³	71 m²	690 x 850/500 x 400 mm	125 m³/h
Paris 800	79 %	0,06 %	126 mg	64 mg	30 mg	10/7 kW	70 cm	222 m³	89 m²	790 x 850/500 x 400 mm	125 m³/h
Paris 1000	78 %	0,05 %	104 mg	31 mg	11 mg	11/7,5 kW	90 cm	244 m³	98 m²	900 x 850/500 x 400 mm	3x125 m³/h



NEW



Paris 700

Paris 800

Paris 1000

Paris 700 Mural

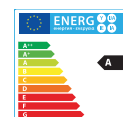
Paris 800 Mural

Paris 1000 Mural

- Two sizes: **700** and **800** mm.
- Two Models: **glass front or 3-sided fire view (CLID)**.
- Two configurations: log store base or wall-mounted.
- **Eolo System**: tangential blower fan + potentiometer with remote control.
- **Silence Mode**: disconnectable blower fan.
- **Easy Fire Control**: to adjust the fire with a single control.
- **External Air Inlet**: Ductable outside air intake.
- **Double Combustion**: a system by which the primary combustion gases obtained from the wood are re-ignited.
- **Perfect Combustion**: optimum wood-burning technology.
- **Low Consumption Homes**: the glass front versions are certified for low consumption homes.
- ST: without turbine.

STEEL

Paris CL 700 / 800 - Paris CL ST



eco DESIGN	Rendim.	CO Emissions	NOx Emissions	OGC Emissions	Particles	H.O. CE/Min.	Firew.	Heating vol.	Heating area	Overall dimensions	Cent. turbine
Paris CL 700	80 %	0,09 %	112 mg	65 mg	29 mg	9,5/6,5 kW	60 cm	211 m³	84 m²	704/696 x 850/500 x 400 mm	125 m³/h
Paris CL 800	79,5 %	0,09 %	118 mg	67 mg	27 mg	10/7 kW	70 cm	222 m³	89 m²	804/800 x 850/500 x 400 mm	125 m³/h



NEW



Paris 700 CLID



Paris 800 CLID



Paris 700 CLID Mural



Paris 800 CLID Mural

- Two sizes: **700** and **800** mm.
- Two Models: **glass front or 3-sided fire view (CLID)**.
- Two configurations: log store base or wall-mounted.
- **Eolo System**: tangential blower fan + potentiometer with remote control.
- **Silence Mode**: disconnectable blower fan.
- ST: without turbine.
- **Easy Fire Control**: to adjust the fire with a single control.
- **External Air Inlet**: Ductable outside air intake.
- **Double Combustion**: a system by which the primary combustion gases obtained from the wood are re-ignited.
- **Perfect Combustion**: optimum wood-burning technology.


LACUNZA
Natural comfort



NEW Verona
800



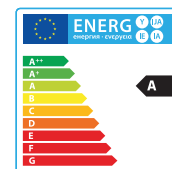
New version!

VERONA 800

VERONA double-sided, two-door stoves are devices that allow you to enjoy the fire on both sides and even separate rooms if you wish. They are now also available in 2 sizes with different versions.

These steel stoves have a vermiculite firebox and cast-iron base. The ashpit box is removable from either side. The main technological systems they incorporate are:

- **External Air Inlet:** ductable air-intake system to draw air from outside.
- **Perfect Combustion:** optimal wood-burning technology.
- **Double Combustion:** system which burns the gas released during the primary combustion of firewood. Lower consumption.
- **Easy Fire Control:** fire controlled using a single control.
- **Extra Clean Glass:** a new air inlet system onto the glass to keep it clean longer.
- **Cleaning Access:** easy access for de-sooting by means of a hatch (patented).

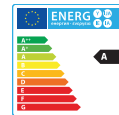


+ Info: p. 36



STEEL

Verona 800 / 801 / 1000 / 1001 / 1003



eco DESIGN	%* Efficiency	CO Emissions	NOx Emissions	OGC Emissions	☆☆ Particles	⊙ H.O. CE/Min.	🔥 Firew.	📦 Heating vol.	🏠 Heating area	📏 Overall dimensions
Verona 800	79 %	0,08 %	108 mg	66 mg	28 mg	15/10,5 kW	65 cm	333 m³	133 m²	842 x 595 x 515 mm
Verona 801	79 %	0,08 %	108 mg	66 mg	28 mg	15/10,5 kW	65 cm	333 m³	133 m²	842 x 950 x 515 mm
Verona 1000	80 %	0,07 %	108 mg	47 mg	23 mg	17/12 kW	85 cm	378 m³	151 m²	1042 x 595 x 515 mm
Verona 1001	80 %	0,07 %	108 mg	47 mg	23 mg	17/12 kW	85 cm	378 m³	151 m²	1042 x 950 x 515 mm
Verona 1003	80 %	0,07 %	108 mg	47 mg	23 mg	17/12 kW	85 cm	378 m³	151 m²	1042 x 950 x 515 mm



Verona 800



Verona 801



Verona 1000



Verona 1001

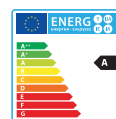


Verona 1003

- Double sided stove (two doors).
- Firebox in vermiculite with cast iron base.
- **Double Combustion system.**
- External air intake.
- A combustion control single comand for primary and secondary air.
- **Extra Clean Glass system.**
- Ash pan removable on both sides.
- 5 version available.

STEEL

Roma 700

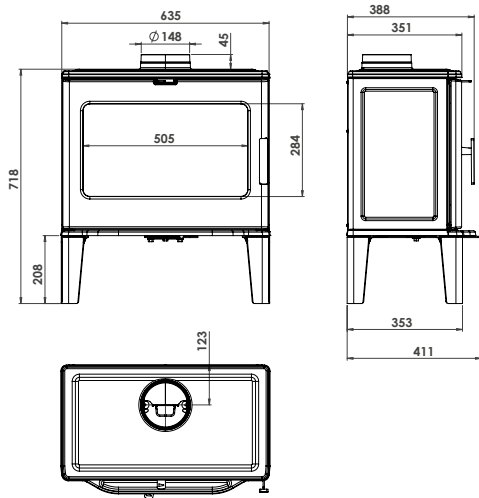


eco DESIGN Roma 700	%* Efficiency 80 %	CO Emissions 0,04 %	NOx Emissions 150 mg	OGC Emissions 37 mg	☆☆ Particles 28 mg	H.O. CE/Min. 10/7,5 kW	Firew. 60 cm	Heating vol. 222 m³	Heating area 89 m²	Overall dimensions 690 x 950 x 451 mm	Cent. turbine 2x125 m³/h
-------------------------------	---------------------------------	----------------------------------	-----------------------------------	----------------------------------	---------------------------------	----------------------------------	------------------------	-------------------------------	------------------------------	---	------------------------------------

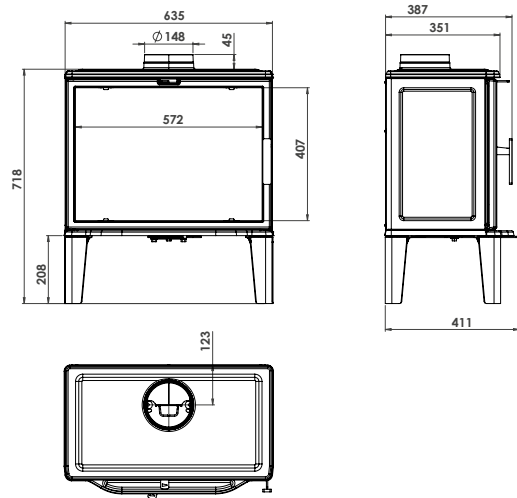


- **Steel wood stove.**
- Firebox in vermiculite.
- Double Combustion system.
- Very high fire vision
- External air intake (Ø 80 mm).
- Two disconnectable blower fan 125 m³/h each.
- Potentiometer (5 speeds + On/Off) with remote control.
- Combustion control single comand.

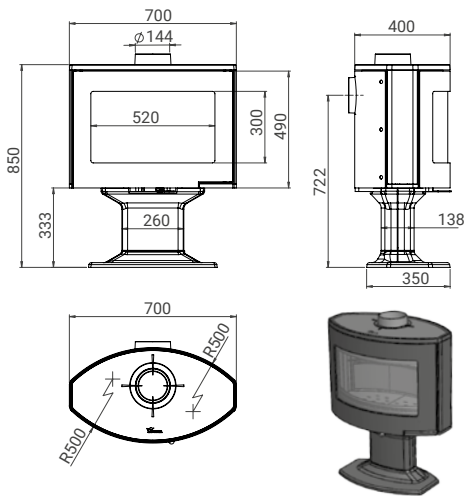
Bidart



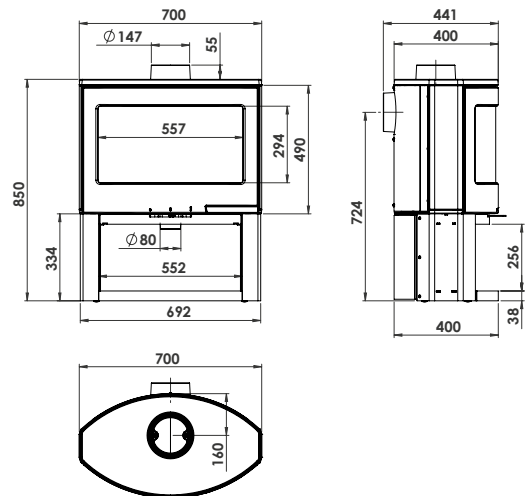
Biarritz



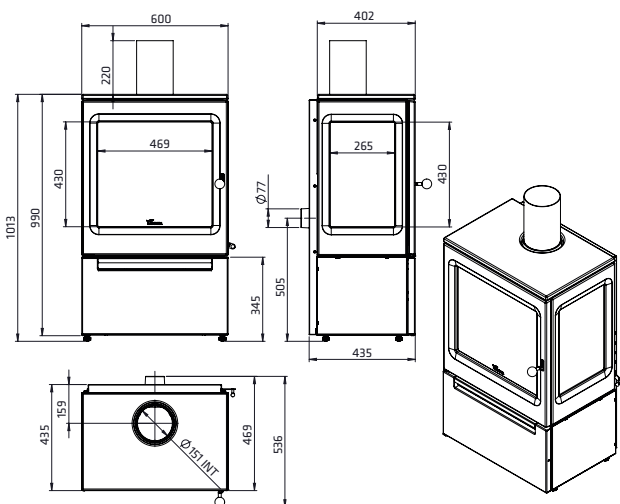
Tarbes



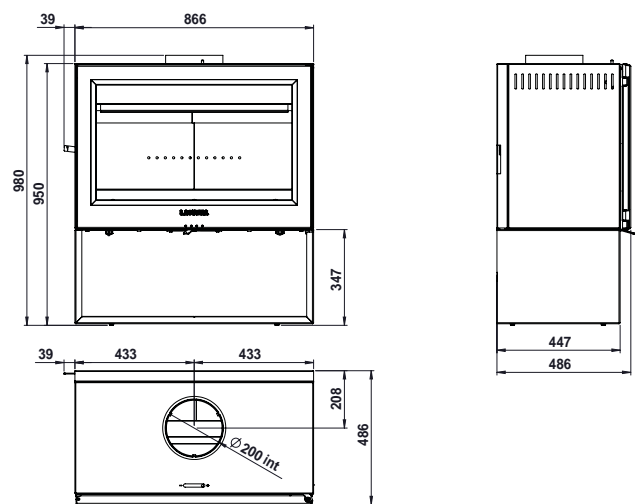
Bristol



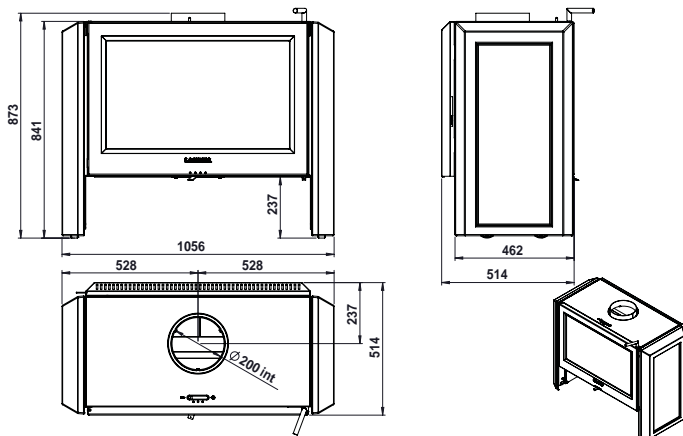
Garde



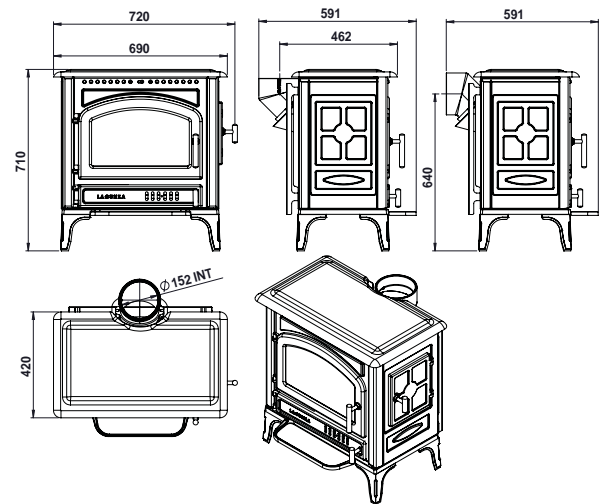
Lugo



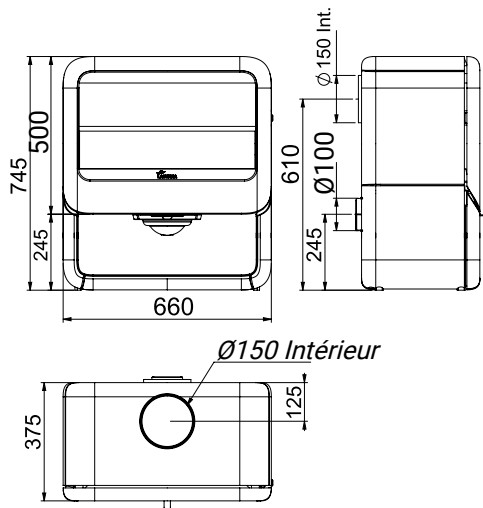
Leon



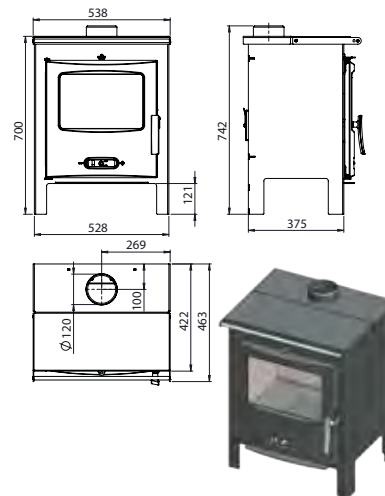
Levante



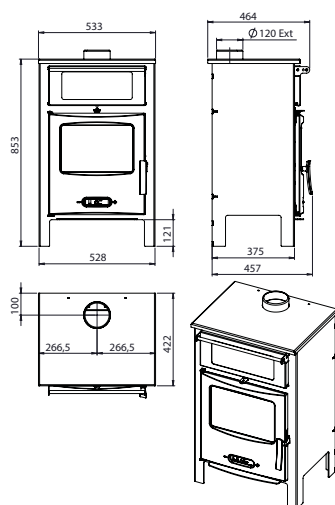
Stelar



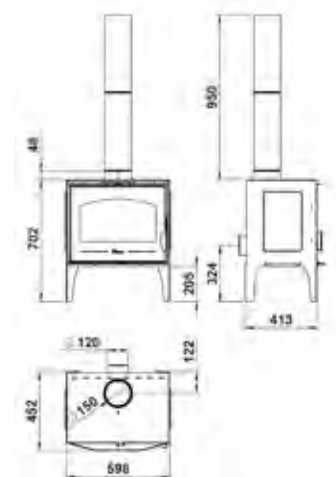
Sagra CP



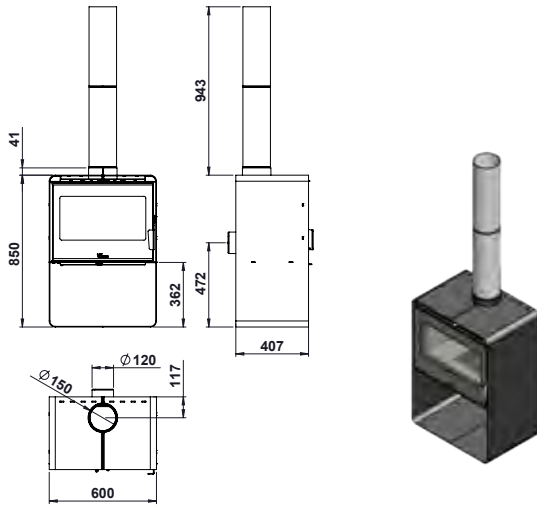
Sagra CH



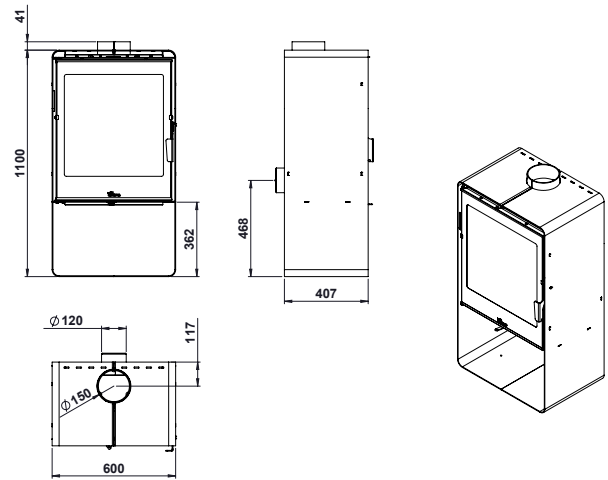
Calpe



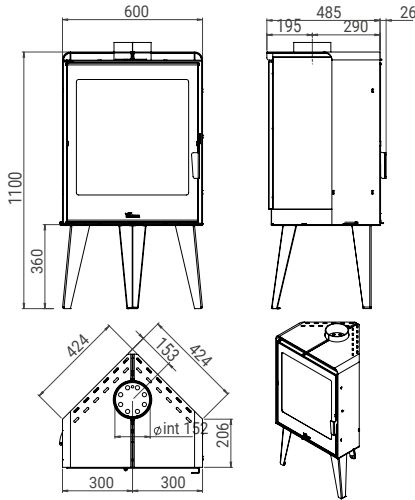
Atlantic 603



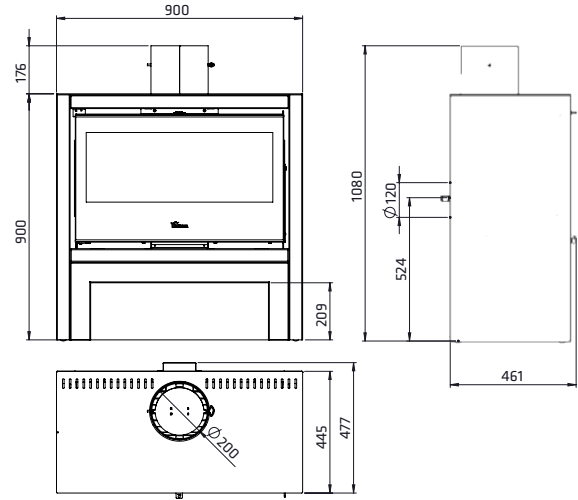
Atlantic 613



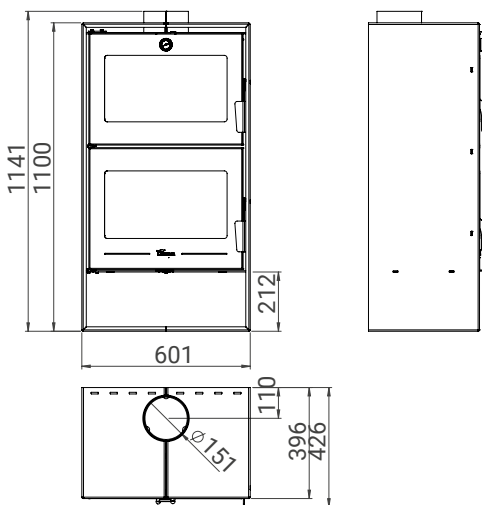
Atlantic 610 R



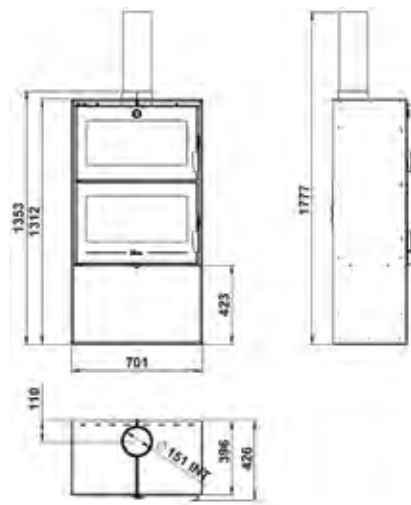
Platinum 800



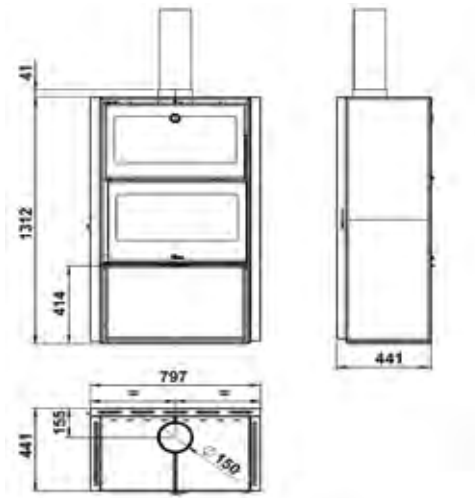
Altea



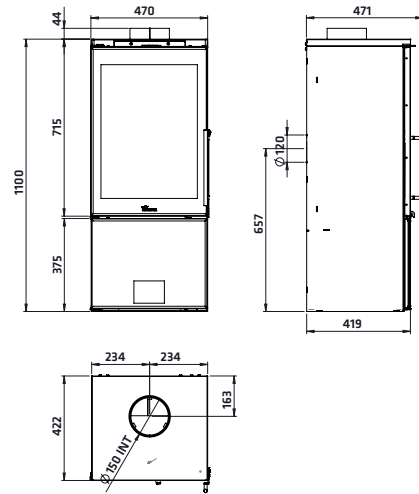
Oslo



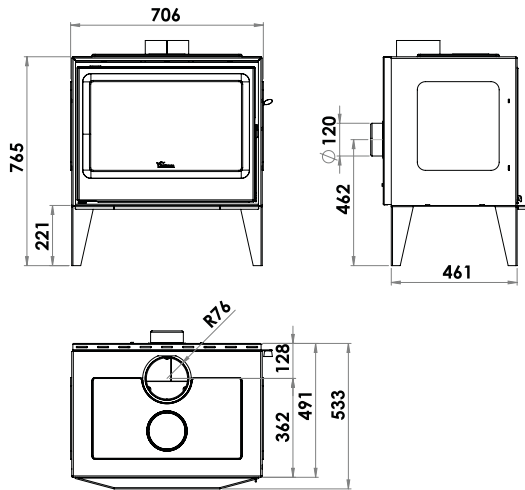
Bergen



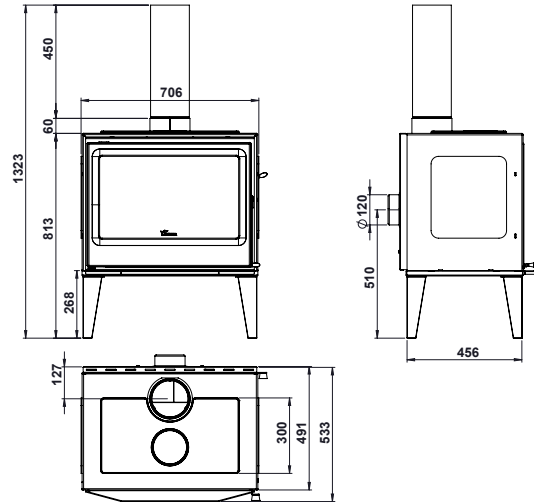
Calais



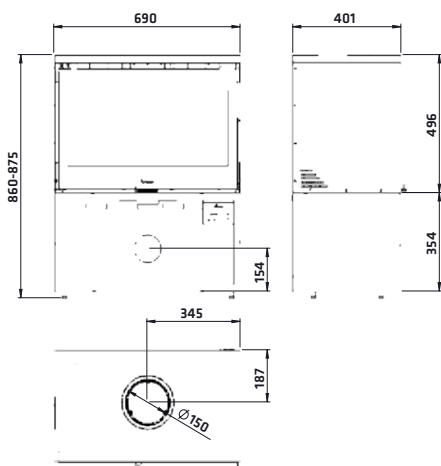
Martina



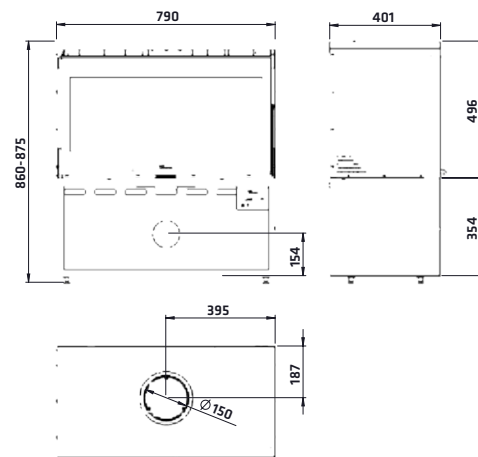
Maule



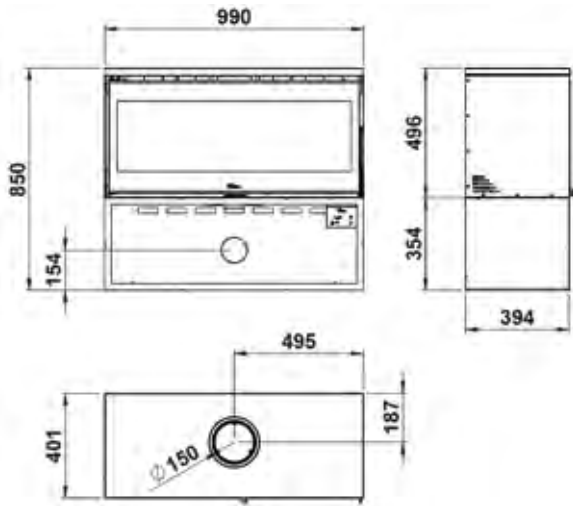
Paris 700



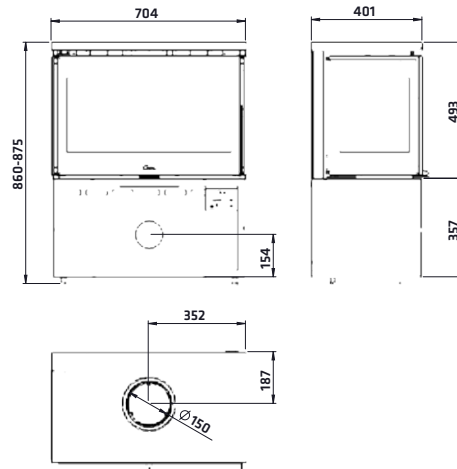
Paris 800



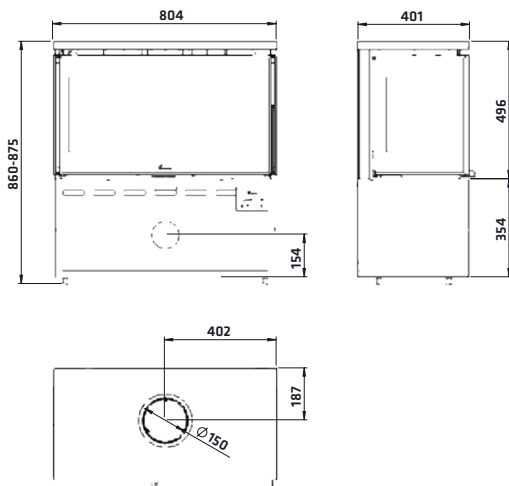
Paris 1000



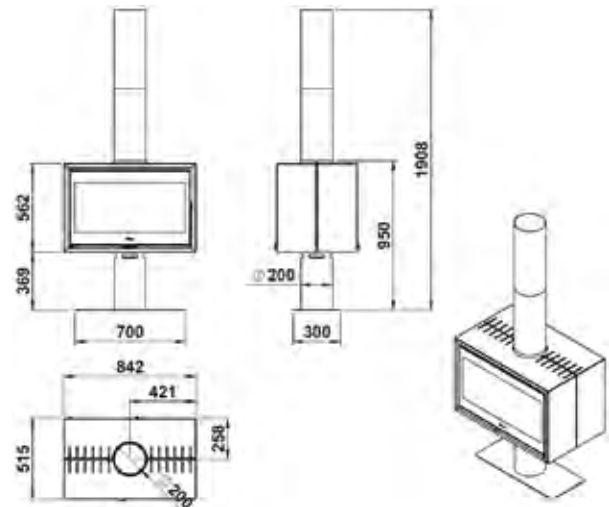
Paris CL 700



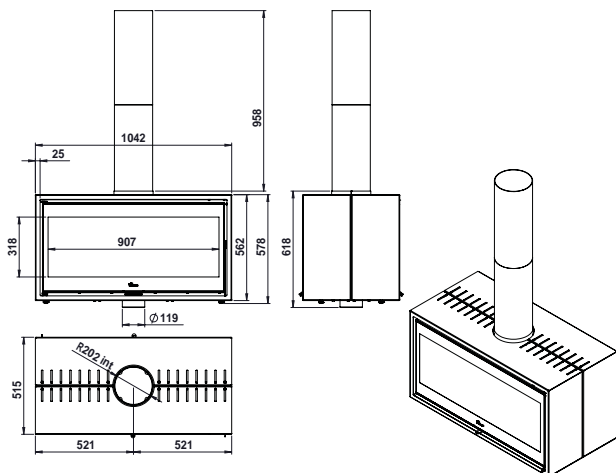
Paris CL 800



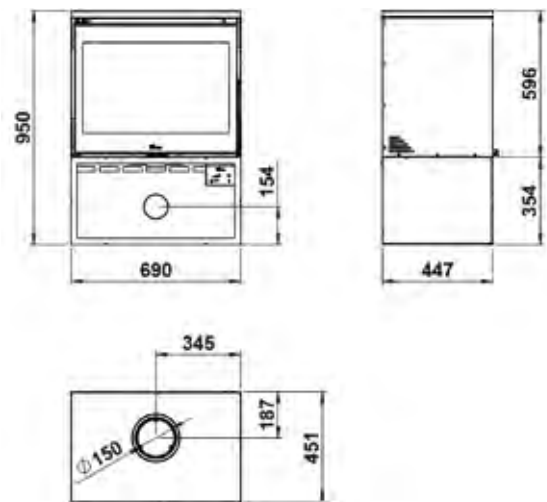
Verona 800



Verona 1000



Roma 700





3
Steel
fireplaces

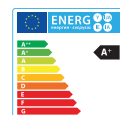




LACUNZA

STEEL FIREPLACE

CM 300



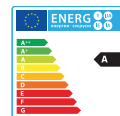
eco DESIGN	Efficiency	CO Emissions	NOx Emissions	OGC Emissions	Particles	H.O. CE/Min.	Firew.	Heating vol.	Heating area	Overall dimensions
CM 300	80 %	0,09 %	135 mg	63 mg	26 mg	10,5/7,5 kW	60 cm	233 m ³	93 m ²	832 x 2400/3000 x 604 mm

- **Steel stove with double camera.**
- Firebox with refractory bricks.
- Cast iron grate and ash pan.
- Double back with ventilation to the wall.
- Two controls for combustion.
- **Extra Clean Glass system.**
- Removable handle (cold hand).
- Double combustion.



STEEL FIREPLACE

CM 300 R

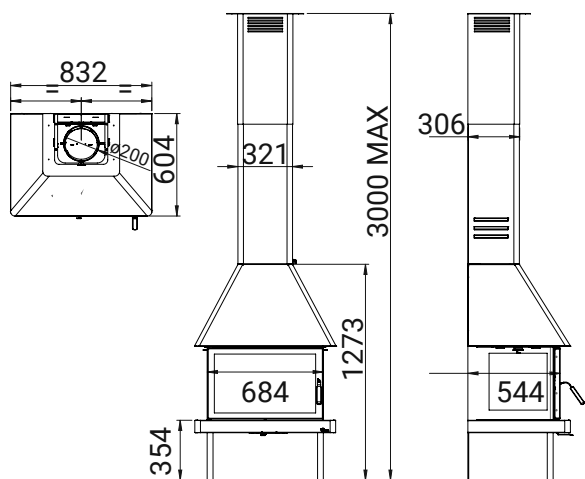


eco DESIGN	Efficiency	CO Emissions	NOx Emissions	OGC Emissions	Particles	H.O. CE/Min.	Firew.	Heating vol.	Heating area	Overall dimensions
CM 300 R	80 %	0,08 %	122 mg	43 mg	27 mg	11,5/8 kW	65 cm	256 m ³	102 m ²	1028 x 2400/3000 x 791 mm

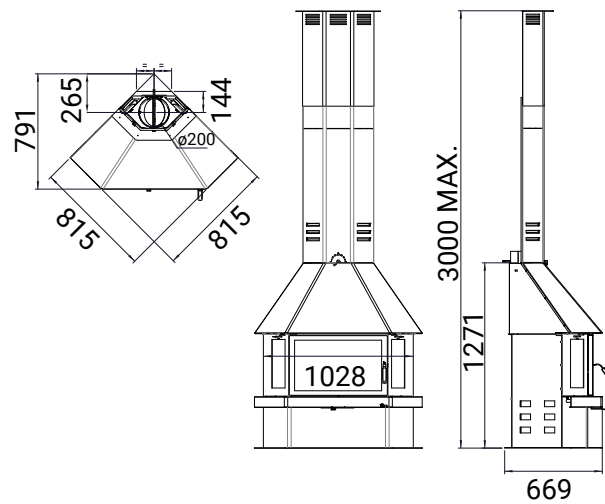
- **Steel stove with double camera.**
- Firebox with refractory bricks.
- Cast iron grate and ash pan.
- Double back with ventilation to the wall.
- Two controls for combustion.
- **Extra Clean Glass system.**
- Removable handle (cold hand).



CM 300



CM 300 R



4

Wood inserts

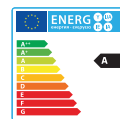
Cast iron and steel





CAST IRON

RE 700



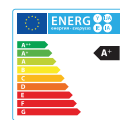
eco DESIGN	Efficiency	CO Emissions	NOx Emissions	OGC Emissions	Particles	H.O. CE/Min.	Firew.	Heating vol.	Heating area	Overall dimensions
RE 700	76,5 %	0,07 %	105 mg	74 mg	28 mg	11/7,5 kW	55 cm	244 m ³	98 m ²	700 x 635 x 466 mm

- Cast iron insert.
- Natural convection.
- Extra Clean Glass system.
- Stainless steel baffle.
- Double control for combustion.



CAST IRON

Sara



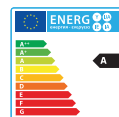
eco DESIGN	Efficiency	CO Emissions	NOx Emissions	OGC Emissions	Particles	H.O. CE/Min.	Firew.	Heating vol.	Heating area	Overall dimensions
Sara	77 %	0,12 %	85 mg	75 mg	38 mg	15,5/11 kW	70 cm	345 m ³	150 m ²	912 x 670 x 575 mm

- Cast iron insert.
- Natural convection.
- Double door.
- Double Combustion system.
- Extra Clean Glass system.
- Stainless steel baffle.
- Retractable doors version (PE).
- Option: Cooking grill.



CAST IRON

IN 700



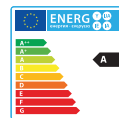
eco DESIGN IN 700	Efficiency 75 %	CO Emissions 0,10 %	NOx Emissions 97 mg	OGC Emissions 67 mg	Particles 31 mg	H.O. CE/Min. 11/7,5 kW	Firew. 55 cm	Heating vol. 244 m³	Heating area 98 m²	Overall dimensions 700 x 522 x 502 mm	Axial fan 2x 75 m³/h
------------------------------------	---------------------------	-------------------------------	-------------------------------	-------------------------------	---------------------------	----------------------------------	------------------------	-------------------------------	------------------------------	---	--------------------------------



- **Cast iron insert.**
- **Extra Clean Glass system.**
- Stainless steel baffle.
- **Double control for combustion.**
- Two axial fans of 75 m³/h each.
- Thermostat and switch with 2 speeds.
- *Option:* Cooking grill.

CAST IRON

Midi 700



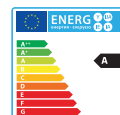
eco DESIGN Midi 700	Efficiency 75 %	CO Emissions 0,10 %	NOx Emissions 97 mg	OGC Emissions 67 mg	Particles 31 mg	H.O. CE/Min. 11/7,5 kW	Firew. 55 cm	Heating vol. 244 m³	Heating area 98 m²	Overall dimensions 700 x 522 x 502 mm	Axial fan 2x 75 m³/h
--------------------------------------	---------------------------	-------------------------------	-------------------------------	-------------------------------	---------------------------	----------------------------------	------------------------	-------------------------------	------------------------------	---	--------------------------------



- **Cast iron insert.**
- **Extra Clean Glass system.**
- Stainless steel baffle.
- **Double control for combustion.**
- Two axial fans of 75 m³/h each.
- Thermostat and switch with 2 speeds.
- *Option:* Cooking grill.

CAST IRON

IF 800



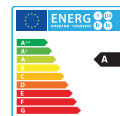
eco DESIGN	Efficiency	CO Emissions	NOx Emissions	OGC Emissions	Particles	H.O. CE/Min.	Firew.	Heating vol.	Heating area	Overall dimensions	Cent. turbine
IF 800	76 %	0,09 %	97 mg	108 mg	25 mg	9/6,5 kW	55 cm	200 m ³	80 m ²	826 x 518/584 x 495 mm	2x 125 m ³ /h

- Cast iron insert.
- Extra Clean Glass system.
- Stainless steel baffle.
- Double control for combustion.
- Two axial fans of 75 m³/h each.
- Thermostat and switch with 2 speeds.
- Option: frame and cooking grill.



CAST IRON

K2 800



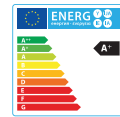
eco DESIGN	Efficiency	CO Emissions	NOx Emissions	OGC Emissions	Particles	H.O. CE/Min.	Firew.	Heating vol.	Heating area	Overall dimensions	Cent. turbine
K2 800	78 %	0,07 %	108 mg	50 mg	18 mg	8,5/6 kW	55 cm	189 m ³	76 m ²	794 x 518/584 x 463 mm	2x 125 m ³ /h

- Cast iron insert with printed glass.
- Firebox in vermiculite.
- Double Combustion system.
- Extra Clean Glass system.
- Double control for combustion.
- Two turbines 125 m³/h each + Potentiometer (5 speeds).
- Option: frame and cooking grill.



CAST IRON

Abodi



eco DESIGN
Abodi

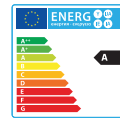
Efficiency	CO Emissions	NOx Emissions	OGC Emissions	Particles	H.O. CE/Min.	Firew.	Heating vol.	Heating area	Overall dimensions	Cent. turbine
77 %	0,12 %	85 mg	75 mg	38 mg	15,5/11 kW	65 cm	344m³	138 m²	912 x 800 x 612 mm	2x 125 m³/h



- Cast iron insert.
- Double door.
- Double Combustion system.
- Extra Clean Glass system.
- Stainless steel baffle.
- Two turbines 125 m³/h each one + Potentiometer (5 speeds).
- Retractable doors version (PE).
- Option: Cooking grill.

STEEL

Aroa 700 / 800



eco DESIGN
Aroa 700
Aroa 800

Efficiency	CO Emissions	NOx Emissions	OGC Emissions	Particles	H.O. CE/Min.	Firew.	Heating vol.	Heating area	Overall dimensions	Fan
76 %	0,10 %	112 mg	92 mg	22 mg	10/7 kW	55 cm	222 m³	89 m²	700 x 530 x 443 mm	105 m³/h
75 %	0,10 %	98 mg	92 mg	26 mg	12/8,5 kW	65 cm	267 m³	107 m²	800 x 530 x 443 mm	105 m³/h

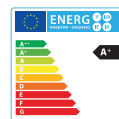


- Steel insert.
- Firebox in refractory brick.
- Extra Clean Glass system.
- Stainless steel baffle.
- Printed glass.
- Tangential fan of 105 m³/h (high silence).
- Available in two sizes.

STEEL

Adour - Adour ST (Without turbine)

500 / 600 / 700 / 800 / 1000



eco DESIGN	Rendim.	CO Emissions	NOX Emissions	OGC Emissions	Particles	H.O. CE/Min.	Firew.	Heating vol.	Heating area	Overall dimensions	Cent. turbine
Adour 500	77 %	0,07 %	111 mg	59 mg	27 mg	5,5/4 kW	40 cm	122 m³	49 m²	490 x 490 x 400 mm	125 m³/h
Adour 600	77 %	0,09 %	115 mg	69 mg	29 mg	7/5 kW	50 cm	156 m³	62 m²	590 x 490 x 400 mm	125 m³/h
Adour 700	82 %	0,09 %	99 mg	70 mg	27 mg	8/7,5 kW	60 cm	156 m³	62 m²	690 x 490 x 400 mm	125 m³/h
Adour 800	79 %	0,06 %	123 mg	64 mg	30 mg	10/7 kW	70 cm	222 m³	89 m²	790 x 490 x 400 mm	125 m³/h
Adour 1000	78 %	0,05 %	104 mg	34 mg	11 mg	11/7,5 kW	85 cm	247 m³	102 m²	990 x 490 x 400 mm	3x125 m³/h



Adour 500



Adour 600



Adour 700



Adour 800



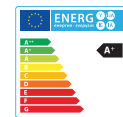
Adour 1000

- **Steel body** with 3mm thick vermiculite lining and cast iron grate with ash box. Ø 150 mm flue. Maximum fire viewing window
- **Eolo System:** tangential blower fans + potentiometer with remote control.
- **Silent Mode:** disconnectable turbines.
- **Easy Fire Control:** burning regulated with a single control.
- **External Air Inlet:** Ductable outside air intake.
- **Doble Combustion:** a system by which primary combustion gases obtained from the wood are re-ignited.
- **Perfect Combustion:** optimum wood-burning technology.
- **Low Consumption Homes:** the glass front versions are certified for low consumption homes in sizes 500/600/700 and 800 mm.

STEEL

Adour CL (CLI / CLD / CLID)

600 / 700 / 800



eco DESIGN	Efficiency	CO Emissions	NOx Emissions	OGC Emissions	Particles	H.O. CE/Min.	Firew.	Heating vol.	Heating area	Overall dimensions	Cent. turbine
Adour 600 CL	80,5 %	0,06 %	114 mg	53 mg	28 mg	9/6,5 kW	50 cm	200 m³	80 m²	595/600 x 490 x 400 mm	125 m³/h
Adour 700 CL	80 %	0,08 %	112 mg	56 mg	29 mg	9,5/6,5 kW	60 cm	211 m³	84 m²	696/700 x 490 x 400 mm	125 m³/h
Adour 800 CL	80 %	0,09 %	109 mg	59 mg	29 mg	10/7 kW	70 cm	222 m³	89 m²	795/800 x 490 x 400 mm	125 m³/h



Adour 600 CLI



Adour 700 CLD

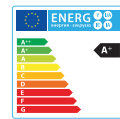


Adour 800 CLID

- Side Glass versions of the Adour model.
- Steel insert, firebox in vermiculite.
- **Double Combustion system.**
- Design and position of fan allow for operation of fireplace without electricity.
- Potentiometer (5 speeds + On/Off) with remote control.
- External air intake.
- Frame of 25 mm included.
- Combustion control single comand.
- *Option:* cast iron firebox kit.

STEEL

Loire 700 / 800 / 1000



eco DESIGN	Efficiency	CO Emissions	NOx Emissions	OGC Emissions	Particles	H.O. CE/Min.	Firew.	Heating vol.	Heating area	Overall dimensions	Cent. turbine
Loire 700	80 %	0,04 %	150 mg	37 mg	25 mg	10/7 kW	60 cm	222 m³	89 m²	690 x 590 x 450 mm	2x 125 m³/h
Loire 800	80 %	0,06 %	141 mg	35 mg	25 mg	11/7,5 kW	70 cm	246 m³	98 m²	790 x 590 x 450 mm	2x 125 m³/h
Loire 1000	80,5 %	0,05 %	138 mg	27 mg	24 mg	11/7,5 kW	90 cm	244 m³	98 m²	990 x 590 x 450 mm	4x 125 m³/h



Loire 700



Loire 800

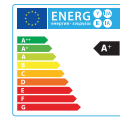


Loire 1000

- Large capacity steel insert.
- Firebox in vermiculite.
- **Double Combustion system.**
- Design and position of fan allow for operation of fireplace without electricity.
- Potentiometer (5 speeds + On/Off) with remote control.
- External air intake.
- Combustion control single comand.
- Frame of 25 mm included.

STEEL

Nickel 700 / 800 / 1000



eco DESIGN	Efficiency	CO Emissions	NOx Emissions	OGC Emissions	Particles	H.O. CE/Min.	Firew.	Heating vol.	Heating area	Overall dimensions
Nickel 700	79 %	0,08 %	93 mg	66 mg	28 mg	13/9 kW	55 cm	289 m ³	116 m ²	700 x 595 x 510 mm
Nickel 800	79 %	0,08 %	108 mg	66 mg	28 mg	15/10,5 kW	65 cm	333 m ³	133 m ²	800 x 595 x 510 mm
Nickel 1000	80 %	0,07 %	108 mg	47 mg	23 mg	17/12 kW	85 cm	378 m ³	151 m ²	1000 x 595 x 510 mm



Nickel 700



Nickel 800

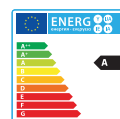


Nickel 1000

- Double-sided fireplace (two doors) in 3 sizes.
- Firebox in vermiculite with cast iron base.
- **Double Combustion system.**
- External air intake.
- Combustion control single comand.
- **Extra Clean Glass system.**
- Ash pan removable on both sides.
- Frame of 25 mm included.

STEEL

Baltic 700 / 800



eco DESIGN	Efficiency	CO Emissions	NOx Emissions	OGC Emissions	Particles	H.O. CE/Min.	Firew.	Heating vol.	Heating area	Overall dimensions
Baltic 700	78 %	0,05 %	128 mg	47 mg	27 mg	10,5/7,5 kW	55 cm	233 m³	93 m²	700 x 530 x 443 mm
Baltic 800	80 %	0,06 %	115 mg	57 mg	35 mg	13/9 kW	65 cm	289 m³	115 m²	800 x 530 x 443 mm



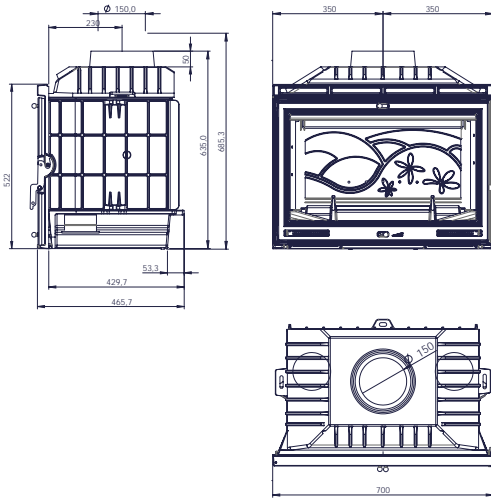
Baltic 700



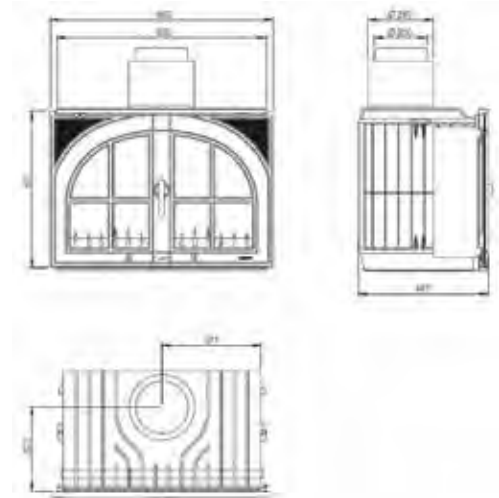
Baltic 800

- Steel insert, firebox in vermiculite.
- Double combustion.
- Firebox base in refractory.
- Turbine of 125 m³/h with potentiometer.
- Two turbines in 800 model.

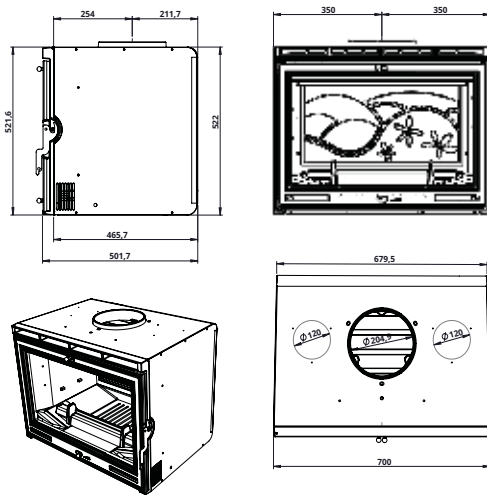
RE 700



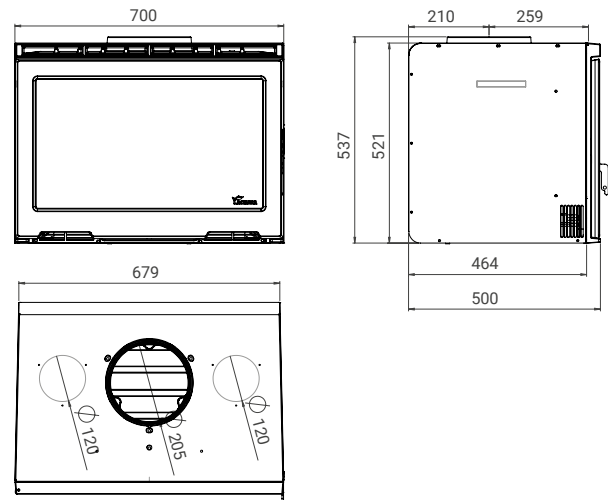
Sara



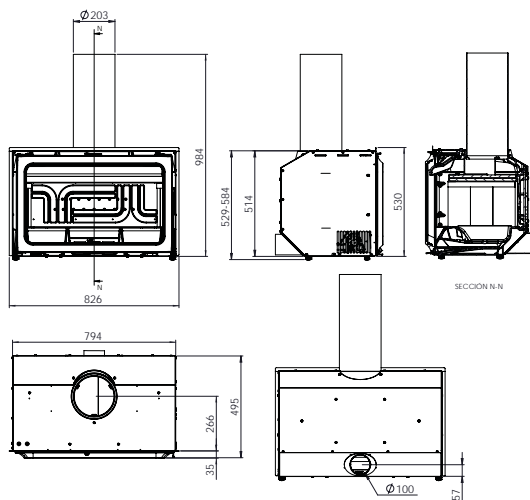
IN 700



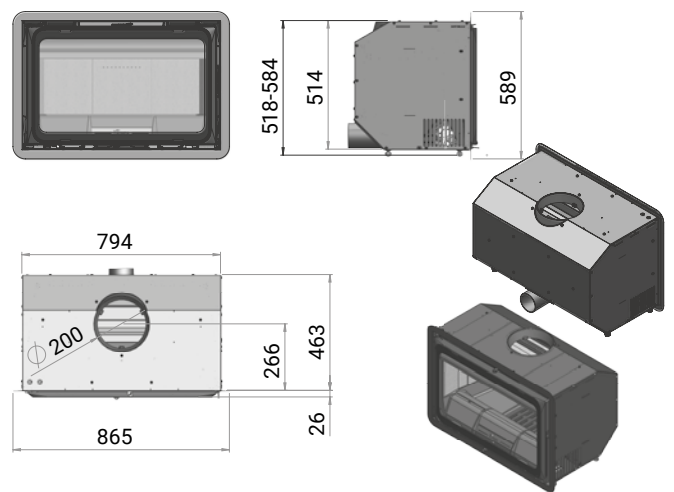
Midi 700



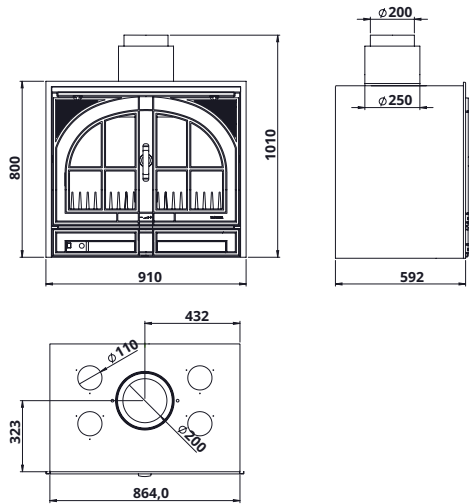
IF 800



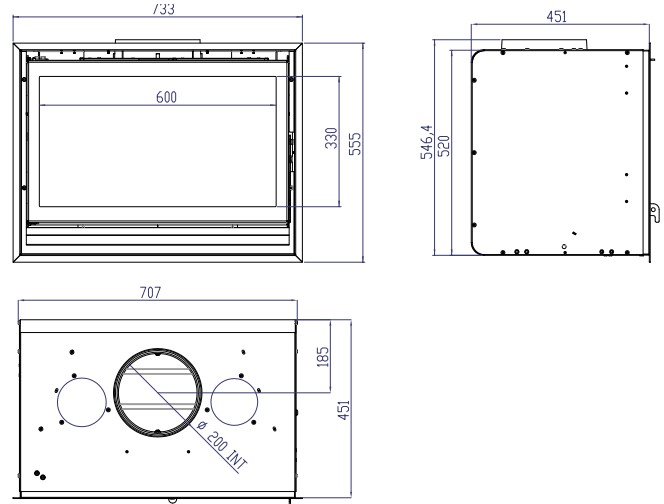
K2 800



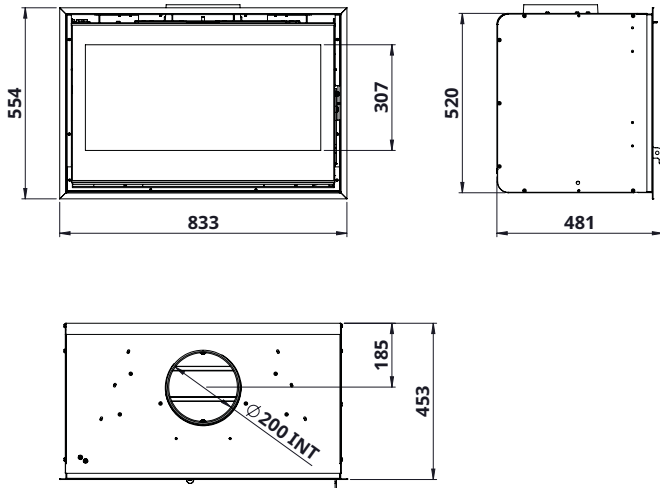
Abodi



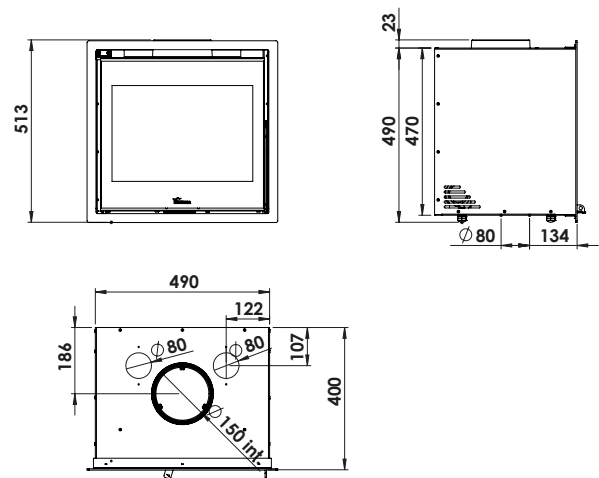
Aroa 700



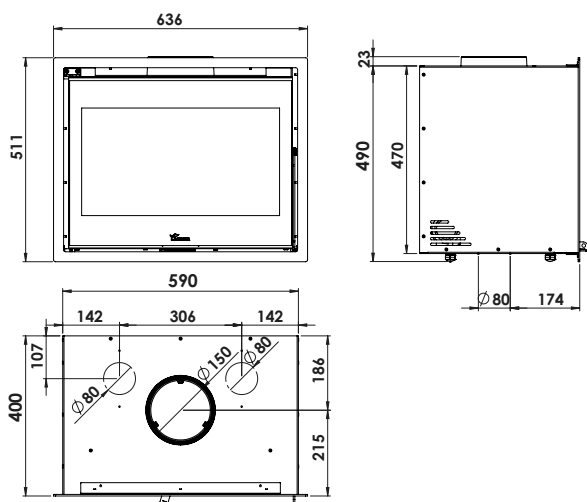
Aroa 800



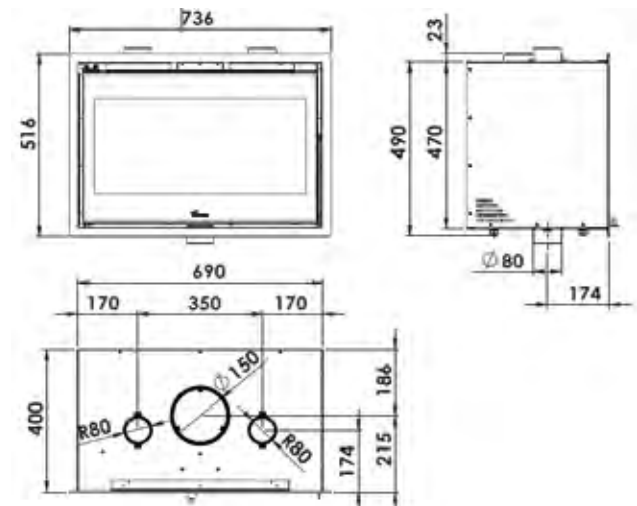
Adour 500



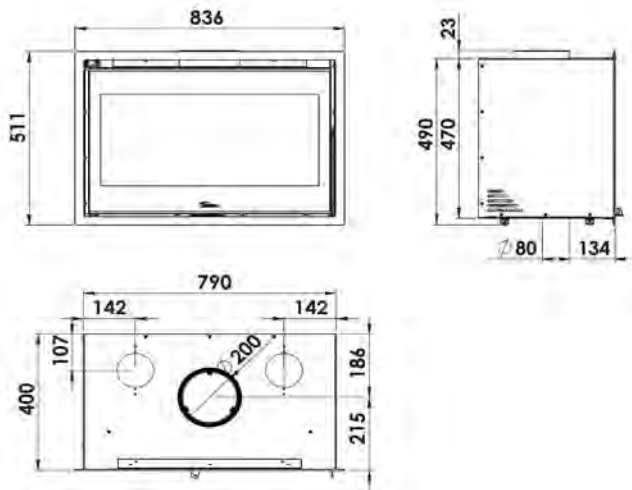
Adour 600



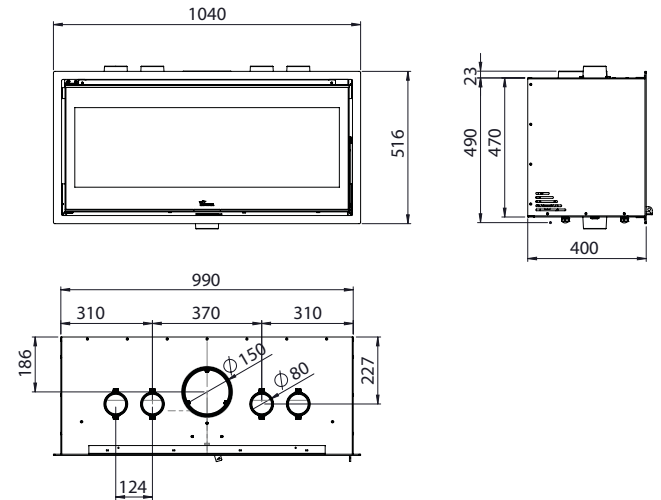
Adour 700



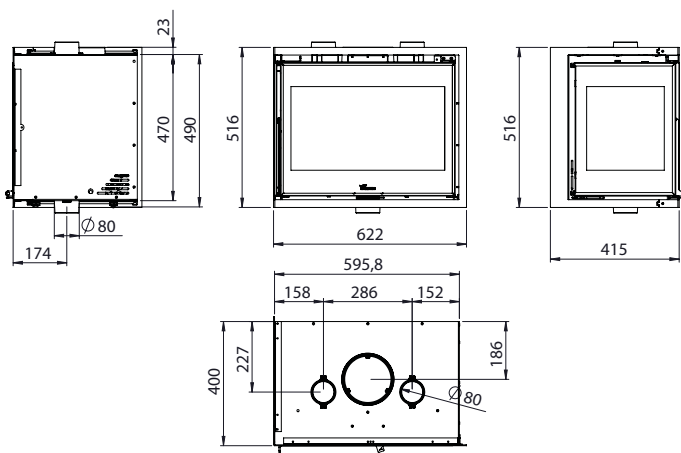
Adour 800



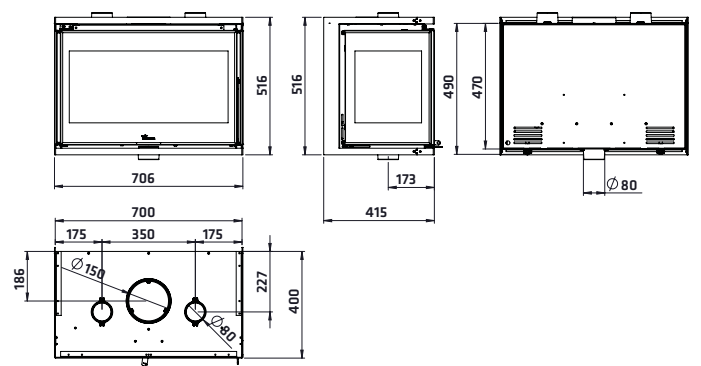
Adour 1000



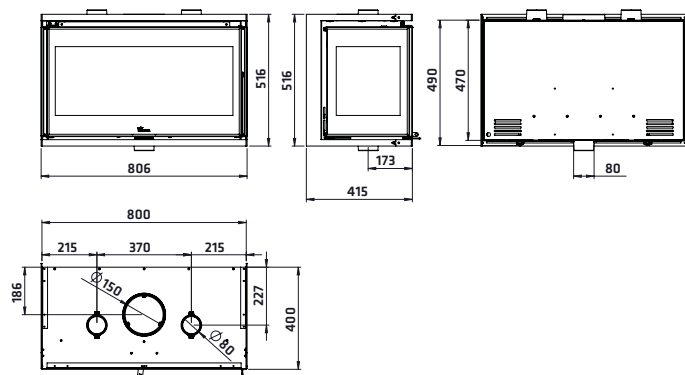
Adour 600 CL



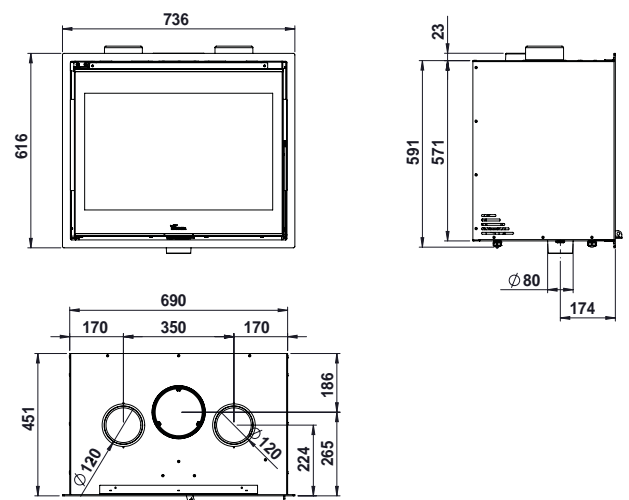
Adour 700 CL



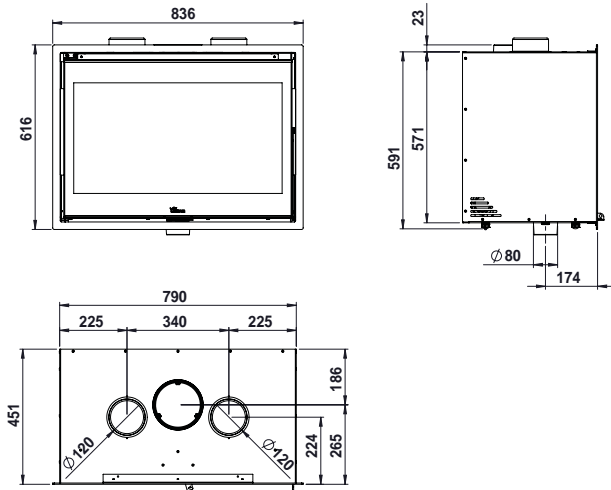
Adour 800 CL



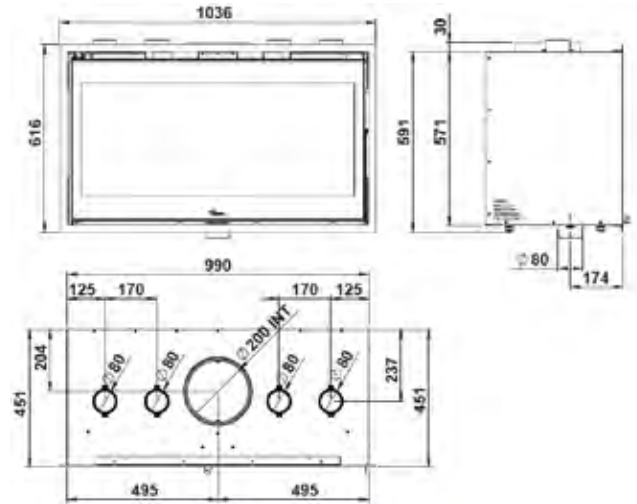
Loire 700



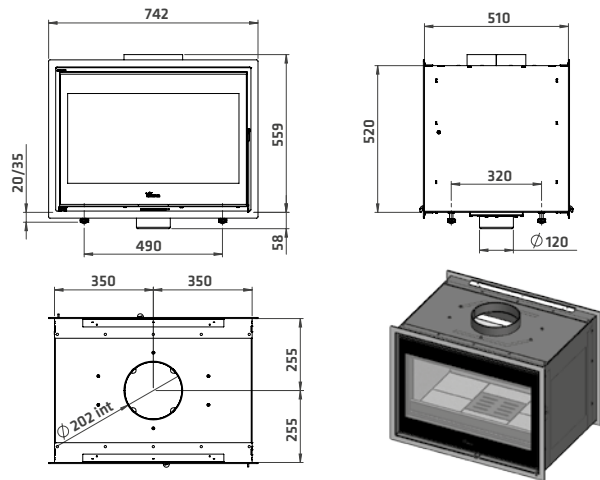
Loire 800



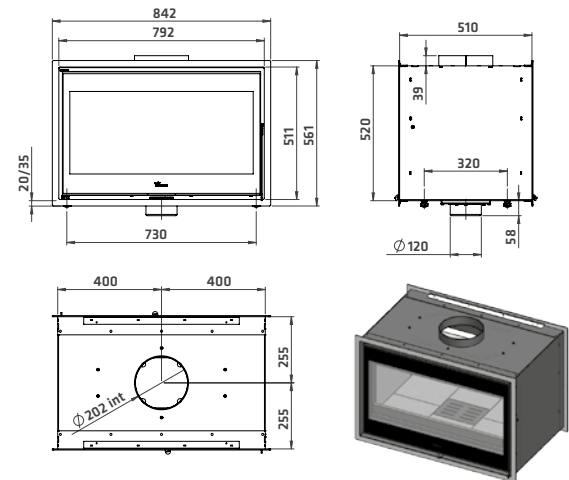
Loire 1000



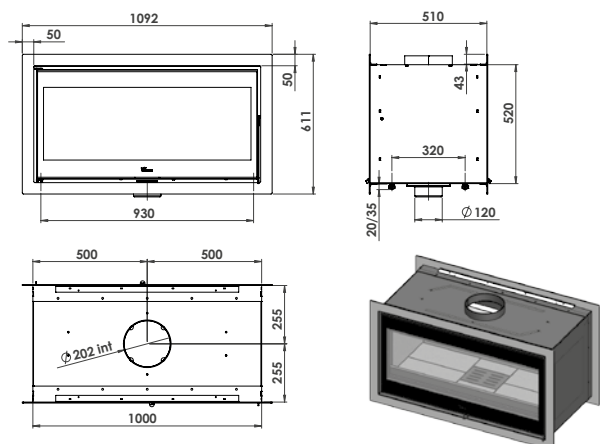
Nickel 700



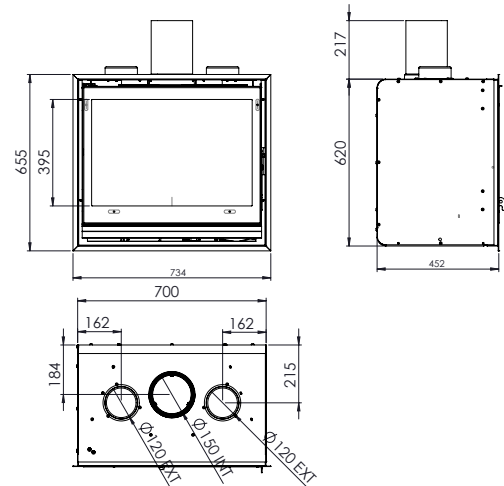
Nickel 800



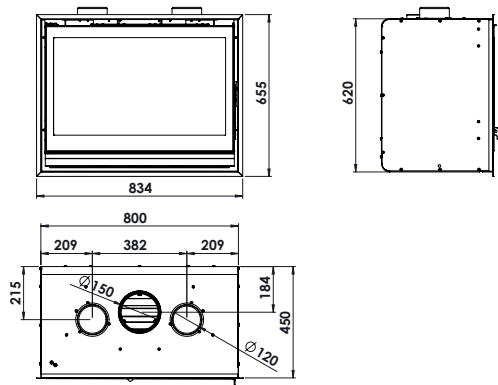
Nickel 1000



Baltic 700



Baltic 800



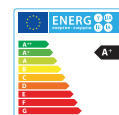
5 Wood fireplaces





WOOD FIREPLACE

Inca 80 / 100



eco DESIGN	Efficiency	CO Emissions	NOx Emissions	OGC Emissions	Particles	H.O. CE/Min.	Firew.	Heating vol.	Heating area	Overall dimensions
Inca 80	82 %	0,07 %	89 mg	47 mg	28 mg	15/10,5 kW	60 cm	333 m ³	133 m ²	826 x 1154 x 646 mm
Inca 100	76 %	0,08 %	88 mg	62 mg	31 mg	15,5/11 kW	80 cm	344 m ³	138 m ²	1026 x 1154 x 646 mm



Inca 80 V



Inca 100 V



Inca 80 T

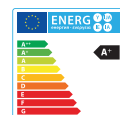


Inca 100 T

- Steel fireplace with opening side door.
- Firebox in vermiculite or thermotte.
- Firebox base of cast iron.
- **Double Combustion system.**
- External air intake.
- Turbine version 800 m³/h (CV).
- 4 top flue exits for hot air.
- Potentiometer for more silence turbine.
- Frame of 25 mm included.

WOOD FIREPLACE

Itaca ECO 80 / 100 / 120



Itaca ECO 80
Itaca ECO 100
Itaca ECO 120

Efficiency	CO Emissions	NOx Emissions	OGC Emissions	Particles
85 %	0,08 %	121 mg	39 mg	20 mg
79,5 %	0,08 %	121 mg	66 mg	25 mg
79,5 %	0,08 %	87 mg	66 mg	25 mg

H.O. CE/Min.
12/8,5 kW
13/9 kW
14/10 kW

Fire.
60 cm
80 cm
100 cm

Heating vol.
267 m³
289 m³
311 m³

Heating area
107 m²
116 m²
125 m²

Overall dimensions
891 x 1507 x 586 mm
1091 x 1507 x 586 mm
1291 x 1507 x 586 mm



Itaca 80 ECO V



Itaca 100 ECO V



Itaca 120 ECO V



Itaca 80 ECO T



Itaca 100 ECO T



Itaca 120 ECO T

- Lifting door with por guillotine door.
- Firebox in vermiculite or thermotte.
- Firebox base of cast iron with ash pan.
- **Double Combustion system.**
- External air intake.

- Turbine version 800 m³/h (CV).
- 4 top flue exits for hot air.
- Potentiometer for more silence turbine.



NEW Iزارو
60/80/100



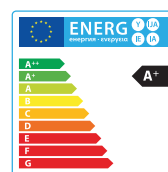
New! IZARO

IZARO, a corner fireplace stove with a lifting door made using a single piece of rounded angled glass so you can relish in the hypnotic power of fire. You choose which of the 2 sides you want to enjoy.

A monoblock which comes in 3 sizes with 2 different versions per size and has a vermiculite interior in black or white so you can choose the option that suits you best.

Beyond its design, the technological features this stove incorporates speak for themselves.

- **Eolo System:** angular turbine and potentiometer with optional remote control on all versions.
- **External Air Inlet:** ductable air-intake system to draw air from outside.
- **Double Combustion:** system which burns the gas released during the primary combustion of firewood. Lower consumption.
- **Perfect Combustion:** optimal wood-burning technology.
- **Extra Clean Glass:** a new air inlet system onto the glass to keep it clean longer.
- **Silence Mode:** turbine shutdown system.



Izaro B Izaro N

+ Info: p. 70



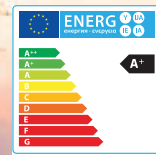
+ Info: p. 72



WOOD FIREPLACE

Izaro B

60 / 80 / 100



Izaro 60 B



eco DESIGN >
Izaro 60 CLI/CLD B

%* Efficiency	CO Emissions	NOx Emissions	OGC Emissions	☆☆ Particles	⊙ H.O. CE/Min.	📏 Firew.	📦 Heating vol.	🏠 Heating area	📐 Overall dimensions
80 %	0,05 %	114 mg	26 mg	10 mg	9/6,5 kW	40 cm	200 m ³	80 m ²	616 x 1460 x 630 mm



Izaro 60 CLI B



Izaro 60 CLD B

- Steel wood fireplace with double-sided liftable door.
- Corner fireplace and guillotine door with curved corner glass in one piece.
- White vermiculite firebox.
- Double combustion system.
- Ductable external air intake (Ø 120 mm).
- Version with 800 m³/h (CV) turbine + ELX Power System.
- 2 upper outlets for hot air.

Izaro 80 B



eco
DESIGN >

Izaro 80 CLI/CLD B

% [*] Efficiency	CO Emissions	NOx Emissions	OGC Emissions	☆☆ Particles	H.O. CE/Min.	Firew.	Heating vol.	Heating area	Overall dimensions
79,5 %	0,05 %	114 mg	26 mg	20 mg	12/8,5 kW	60 cm	267 m ³	107 m ²	816 x 1460 x 630 mm



Izaro 80 CLI B



Izaro 80 CLD B

Izaro 100 B



eco
DESIGN >

Izaro 100 CLI/CLD B

% [*] Efficiency	CO Emissions	NOx Emissions	OGC Emissions	☆☆ Particles	H.O. CE/Min.	Firew.	Heating vol.	Heating area	Overall dimensions
80,5 %	0,03 %	88 mg	9 mg	20 mg	15,5/11 kW	80 cm	343 m ³	137 m ²	1016 x 1460 x 630 mm



Izaro 100 CLI B

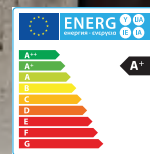


Izaro 100 CLD B

WOOD FIREPLACE

Izaro N

60 / 80 / 100



Izaro 60 N



eco DESIGN >

Izaro 60 CLI/CLD N

%*
Efficiency

80 %

CO
Emissions

0,05 %

NOx
Emissions

114 mg

OGC
Emissions

26 mg

☆☆
Particles

10 mg

⊙
H.O. CE/Min.

9/6,5 kW

📏
Firew.

40 cm

🏠
Heating vol.

200 m³

🏠
Heating area

80 m²

📏
Overall dimensions

616 x 1460 x 630 mm



Izaro 60 CLI N



Izaro 60 CLD N

- Steel wood fireplace with double-sided liftable door.
- Corner fireplace and guillotine door with curved corner glass in one piece.
- Black vermiculite firebox.
- Double combustion system.
- Ductable external air intake (Ø 120 mm).
- Version with 800 m³/h (CV) turbine + ELX Power System.
- 2 upper outlets for hot air.

Izaro 80 N



eco
DESIGN >

Izaro 80 CLI/CLD N

% [*] Efficiency	CO Emissions	NOx Emissions	OGC Emissions	☆☆ Particles	H.O. CE/Min.	Firew.	Heating vol.	Heating area	Overall dimensions
79,5 %	0,05 %	114 mg	26 mg	20 mg	12/8,5 kW	60 cm	267 m ³	107 m ²	816 x 1460 x 630 mm



Izaro 80 CLI N



Izaro 80 CLD N

Izaro 100 N



eco
DESIGN >

Izaro 100 CLI/CLD N

% [*] Efficiency	CO Emissions	NOx Emissions	OGC Emissions	☆☆ Particles	H.O. CE/Min.	Firew.	Heating vol.	Heating area	Overall dimensions
80,5 %	0,03 %	88 mg	9 mg	20 mg	15,5/11 kW	80 cm	343 m ³	137 m ²	1016 x 1460 x 630 mm

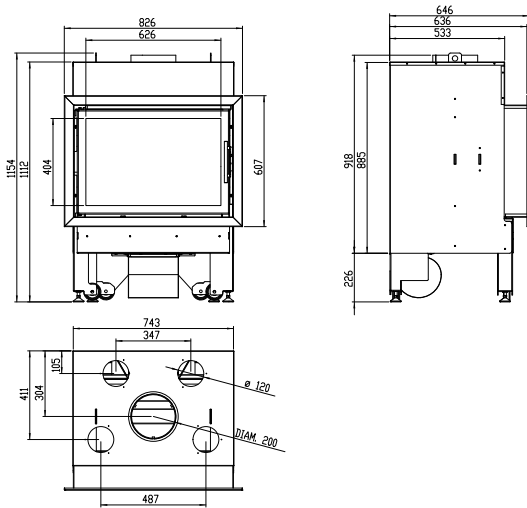


Izaro 100 CLI N

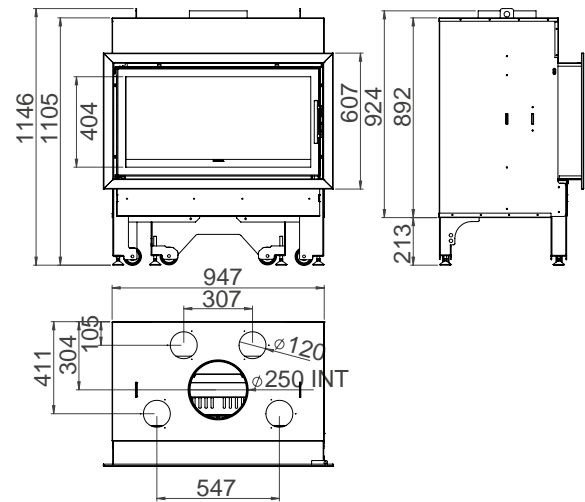


Izaro 100 CLD N

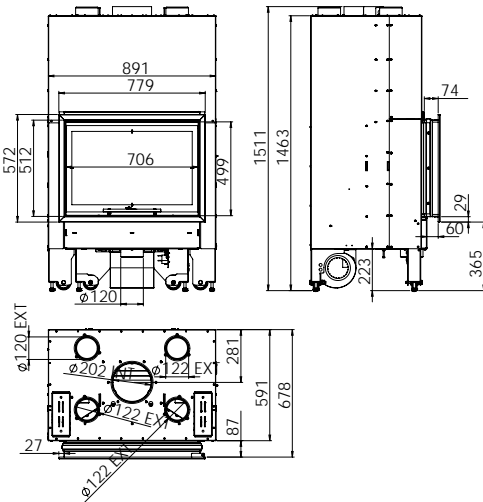
Inca 80



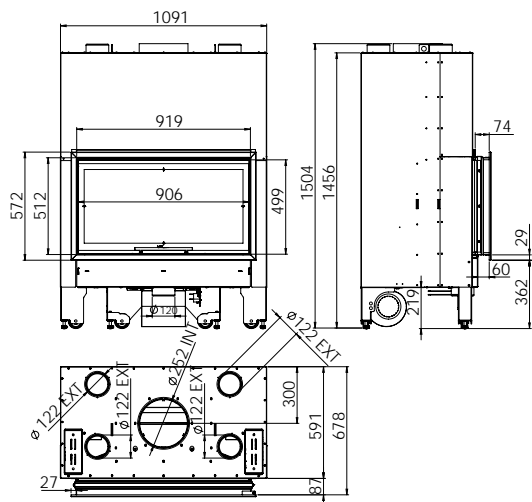
Inca 100



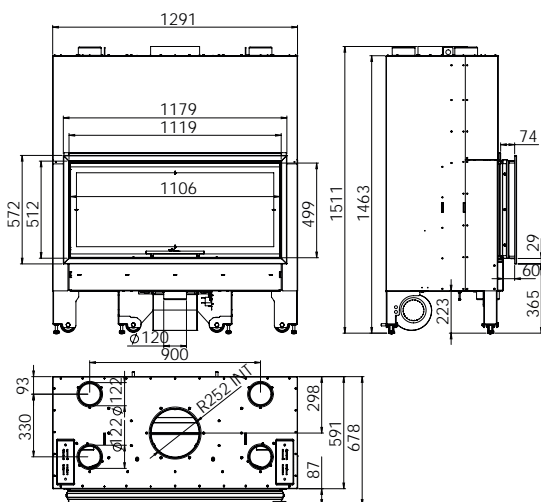
Itaca 80 ECO



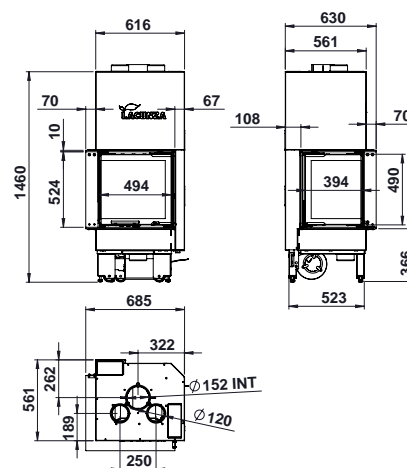
Itaca 100 ECO



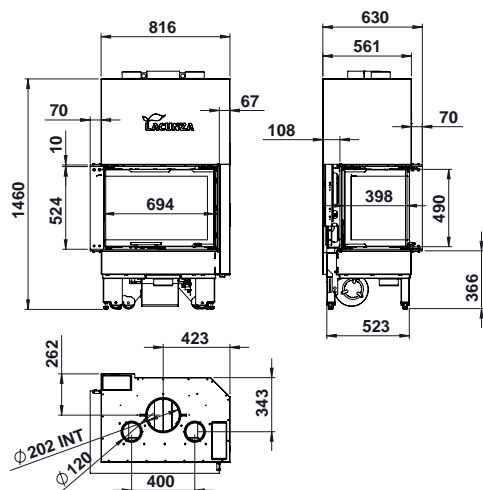
Itaca 120 ECO



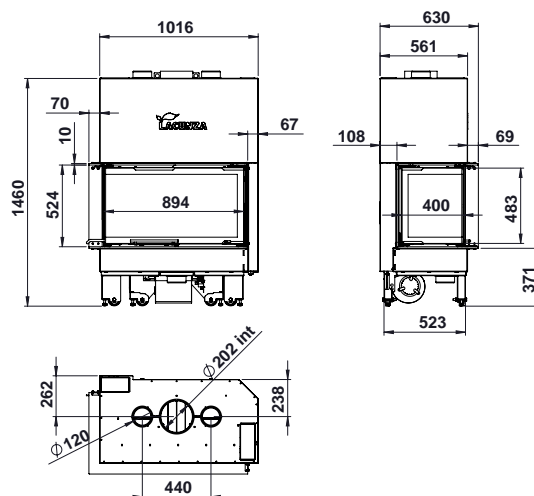
Izaro 60 CLI/CLD



Izaro 80 CLI/CLD

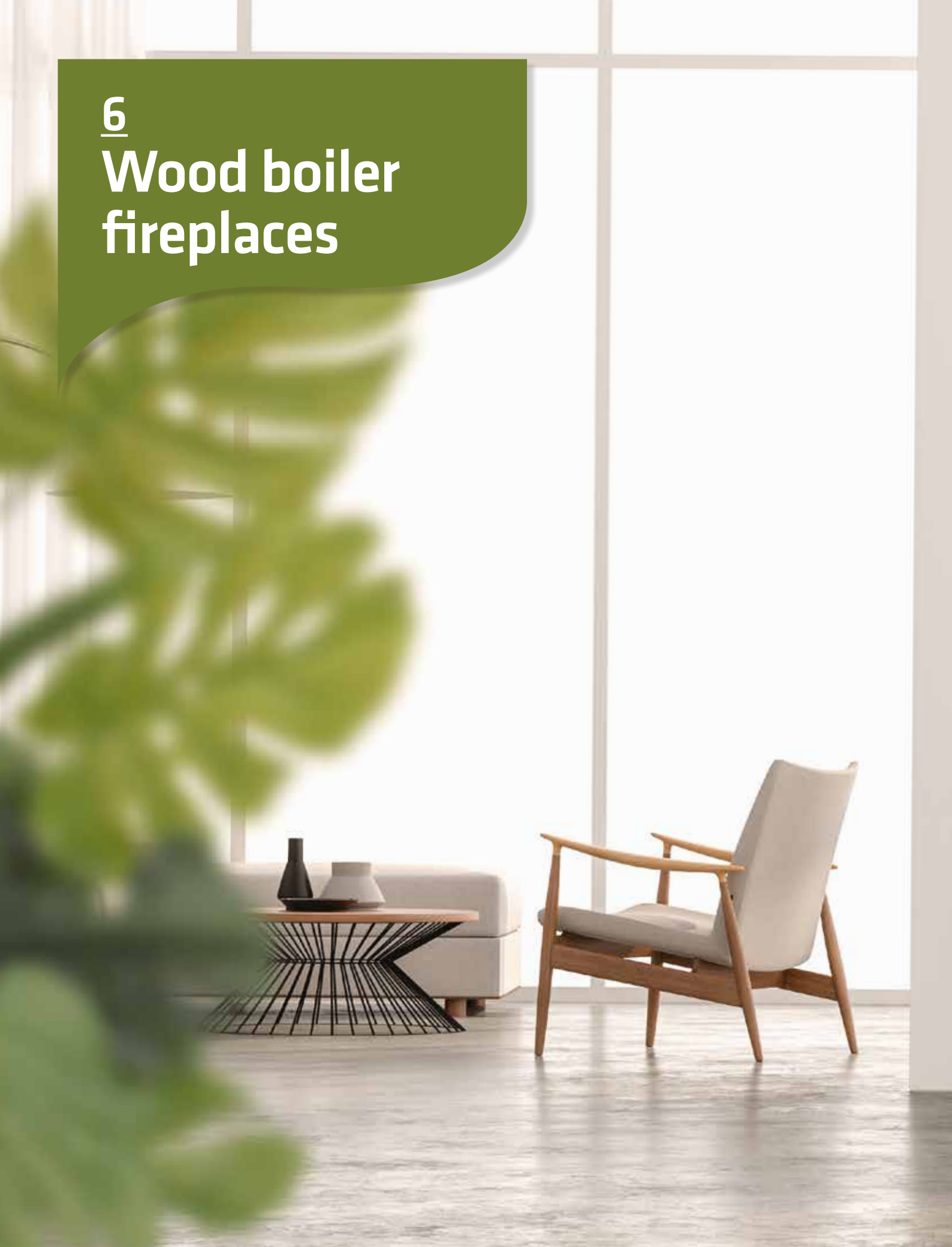


Izaro 100 CLI/CLD



6

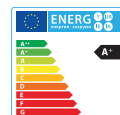
Wood boiler fireplaces





WOOD BOILER FIREPLACE

Sarria ECO 12 / 16 / 20



eco DESIGN	Efficiency	CO Emissions	NOx Emissions	OGC Emissions	Particles	H.O. CE/Min.	Water H/Min.	Fire.	Heating vol.	Heating area	Overall dimensions
Sarria 12 ECO	80 %	0,07 %	132 mg	64 mg	21 mg	14,5/10 kW	12/8,5 kW	50 cm	322 m³	129 m²	700 x 740 x 486 mm
Sarria 16 ECO	80 %	0,08 %	122 mg	101 mg	25 mg	19/13,5 kW	13/8 kW	50 cm	422 m³	169 m²	700 x 990 x 486 mm
Sarria 20 ECO	81 %	0,07 %	117 mg	55 mg	35 mg	19,5/13,5 kW	13/9 kW	60 cm	433 m³	185 m²	740 x 1075 x 510 mm



Sarria 12 ECO



Sarria 16 ECO

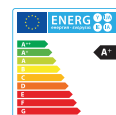


Sarria 20 ECO

- Boiler fireplace of 70 cm width.
- 3 versions / powers available.
- Cast iron door and base.
- Steel back boiler of 5 mm.
- *Version:* Firebox with refractory cladding + back boiler with external insulation.
- *Option:* Safety copper coil+ Thermal Discharge Valve.

WOOD BOILER FIREPLACE

Sakan ECO 16 / 20



eco DESIGN	Efficiency	CO Emissions	NOx Emissions	OGC Emissions	Particles	H.O. CE/Min.	Water H/Min.	Firew.	Heating vol.	Heating area	Overall dimensions
Sakan 16 ECO	80 %	0,08 %	122 mg	101 mg	25 mg	19/13,5 kW	16/11 kW	50 cm	422 m³	169 m²	700 x 990 x 486 mm
Sakan 20 ECO	81 %	0,07 %	117 mg	55 mg	35 mg	19,5/13,5 kW	13/9 kW	60 cm	433 m³	185 m²	740 x 1075 x 510 mm



Sakan 16 ECO

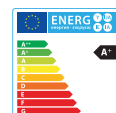


Sakan 20 ECO

- Boiler fireplace of 70 cm width.
- 2 versions / powers available.
- Cast iron door and base.
- Steel back boiler of 5 mm.
- *Version:* Firebox with refractory cladding + back boiler with external insulation.
- *Option:* Safety copper coil+ Thermal Discharge Valve.

WOOD BOILER FIREPLACE

Otazu ECO



eco DESIGN	Efficiency	CO Emissions	NOx Emissions	OGC Emissions	Particles	H.O. CE/Min.	Water H/Min.	Firew.	Heating vol.	Heating area	Overall dimensions
Otazu eco	84 %	0,09 %	104 mg	92 mg	40 mg	20/14 kW	9/6,5 kW	55 cm	444 m ³	177 m ²	780 x 1135 x 516 mm

- Boiler fireplace of 80 cm width.
- Printed glass and frame.
- External air intake.
- Steel back boiler of 5 mm.
- Version:* Firebox with refractory cladding + back boiler with external insulation.
- Option:* Safety copper coil+ Thermal Discharge Valve.



Basic kit



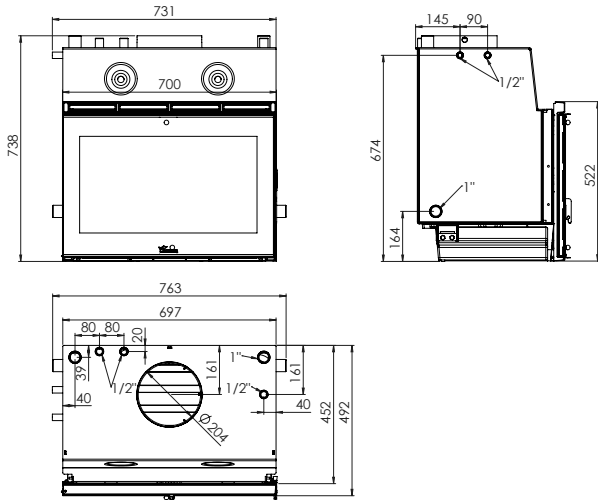
Totals 400 x 166 x 560 mm

Combi kit

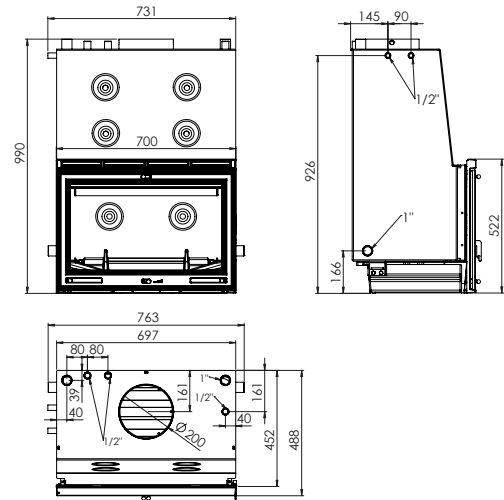


Totals 400 x 166 x 560 mm

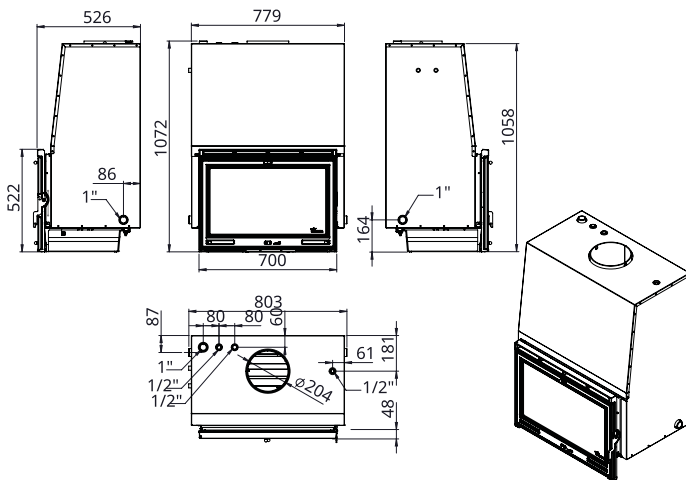
Sarria 12 ECO



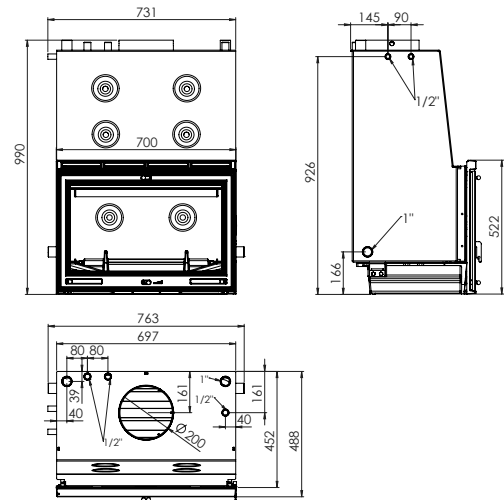
Sarria 16 ECO



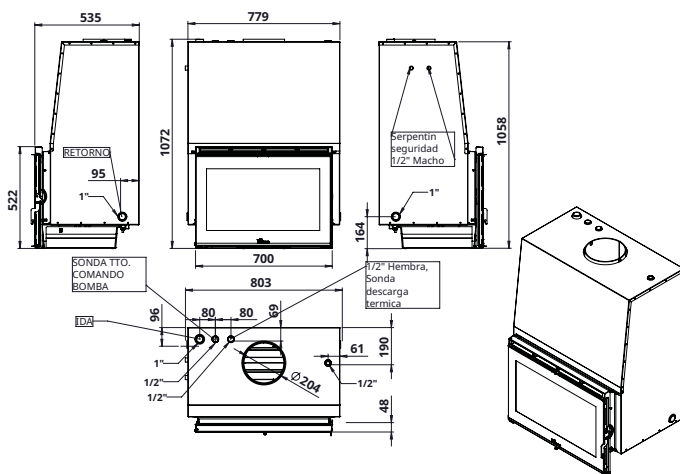
Sarria 20 ECO



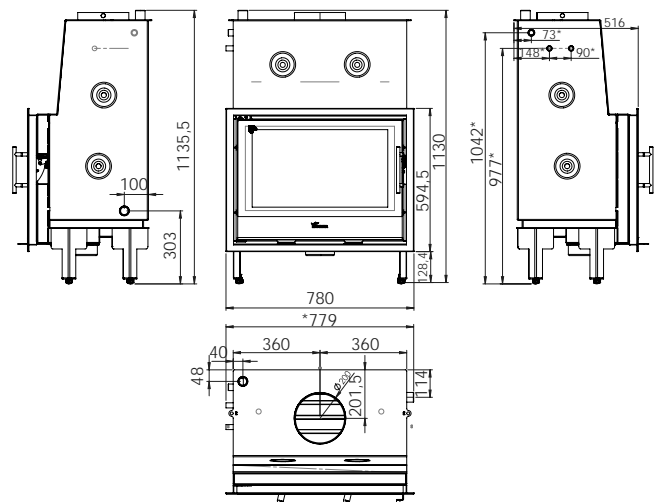
Sakan 16 ECO



Sakan 20 ECO



Otazu ECO









Polígono Industrial Ibarrea 5.A
31800 Alsasua [Navarra] Spain
T +34 948 563 511
comercial@lacunza.net
www.lacunza.net

Distributor



Le label
du chauffage
au bois

